

JENN-AIR UNDER COUNTER REFRIGERATOR

OWNER'S GUIDE

TABLE OF CONTENTS

Introduction.....	1
Safety	2
Installation	3-7
Operation	8
Features.....	8
Care and Cleaning	9
Before Calling for Service	10
Warranty.....	11
Guide de l'utilisateur	12
Guía del Usuario.....	24

Introduction

Congratulations on the purchase of a Jenn-Air Refrigerator.

We appreciate your purchase decision and feel confident you will be happy with this appliance for years to come. For best results, please read this guide carefully. You will find instructions on the proper operation and maintenance.

Should you ever need our future assistance with your refrigerator, a complete model and serial number recorded in the spaces below will be extremely helpful. These numbers are found on a data plate located on the upper left side inside the refrigerator.

Model Number _____

Serial Number _____

Purchase Date _____

Dealer Name _____

Dealer Address _____

Dealer Phone _____

What You Need to Know About Safety Instructions

Warning and Important Safety Instructions appearing in this manual are not meant to cover all possible conditions and situations that may occur. Common sense, caution and care must be exercised when installing, maintaining or operating appliance.

Always contact your dealer, distributor, service agent or manufacturer about problems or conditions you do not understand.

Before Calling for Service . . .

If something seems unusual, please check the “Before Calling For Service” section, which is designed to help solve basic problems before calling a servicer.

What if These Features are Different from Mine?

This book is intended to show the variety of features that are available in the product line. If you have questions, write us (include your model number and phone number) or call:

Maytag ServicesSM
Attn: Jenn-Air CAIR[®] Center
P.O. Box 2370
Cleveland, TN 37320-2370
U.S.A and Canada 1-800-JENNAIR
(1-800-536-6247)
1-800-688-2080 (U.S.A. TTY for hearing
or speech impaired)
(Mon.-Fri., 8 a.m.-8 p.m. Eastern Time)
Internet: <http://www.jennair.com>

Recognize Safety Symbols, Words, Labels

DANGER

DANGER – Immediate hazards which **WILL** result in severe personal injury or death.

WARNING

WARNING – Hazards or unsafe practices which **COULD** result in severe personal injury or death.

CAUTION

CAUTION – Hazards or unsafe practices which **COULD** result in minor personal injury.

Important Safety Instructions

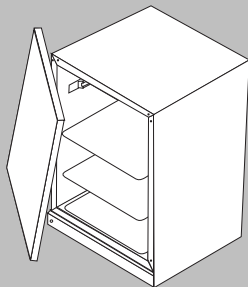
⚠ WARNING

- When using your appliance, always follow basic precautions.
- Use the refrigerator only for its intended purpose.
- To prevent possibility of hazard due to electrical shock, never plug the refrigerator in to a receptacle which has not been grounded adequately and in accordance with the local and national electrical codes. See ⚠ warning and the grounding instructions that follow.
- Disconnect the power cord to the refrigerator before cleaning, servicing or replacing a light bulb.
- In case of power failure, minimize door openings.
- Any electrical service cord that becomes frayed or damaged should be immediately repaired or replaced. Never unplug your appliance by pulling on the power cord.
- To prevent fire hazard, your refrigerator should not be operated in the presence of gasoline or other flammable vapors and liquids.
- To prevent injury, children should not climb, hang or stand on this refrigerator.

⚠ DANGER

Child entrapment and suffocation are not problems of the past. Junked or abandoned refrigeration products are still dangerous...even if they will sit for "just a few days." If you are getting rid of your old refrigeration products, please follow the instructions below to help prevent accidents.

- Take off the doors.
- Leave the shelves in place so that children may not easily climb inside.



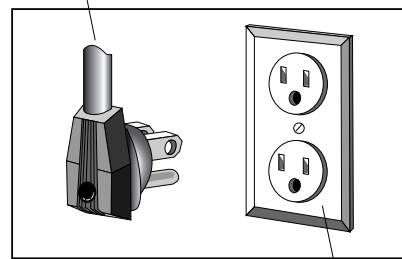
⚠ WARNING

- This appliance is designed to operate on a normal 115 volt, 15 amp, 60 cycle line. There should be a separate, grounded circuit serving this appliance only. Do not use an extension cord. Do not use any device that will alter the electrical performance of this appliance.

This appliance is equipped with a three-pronged grounding plug for your protection against possible electrical shock hazards. It must be plugged in to a grounding receptacle. Where a standard two-prong wall receptacle is encountered, it is the personal responsibility and obligation of the customer to have it replaced with a properly grounded three-prong wall receptacle. Do not, under any circumstances, cut or remove the third (ground) prong from the power cord.

Do not use an adapter plug.

Power Supply Cord With
3-prong Grounding Plug



Grounding Type
Wall Receptacle

⚠ WARNING

- This refrigerator should not, under any circumstances, be ungrounded.

Save These Instructions For Future Reference

Installation

Materials Needed

- 1/8" Allen wrench
- 5/16" socket
- Phillips screwdriver
- Putty knife
- Carpenter's level

Select Location

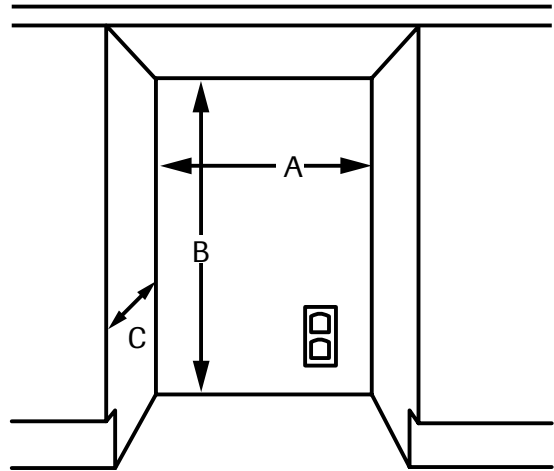
The refrigerator was designed to be installed under the counter. Its proper location will ensure peak performance. Choose a location indoors, away from heat and out of direct sunlight. Best performance will be maintained when installed within the following parameters:

Ideal Ambient Temperature Range

Built-In.....65-80° F
(18.3-26.7° C)

Provisions for electricity should be determined before placing the refrigerator in its final location (see page 2).

Cabinet Cutout Dimensions



UNDER COUNTER CUTOUT	
A	24" (61.0 cm)*
B	Min. 34½" (87.6 cm) Max. 35¼" (89.5 cm)
C	24½" (61.3 cm)

* If door is recessed between cabinets, cabinet cutout must be 24¼" (61.6 cm).

Cabinet Clearance

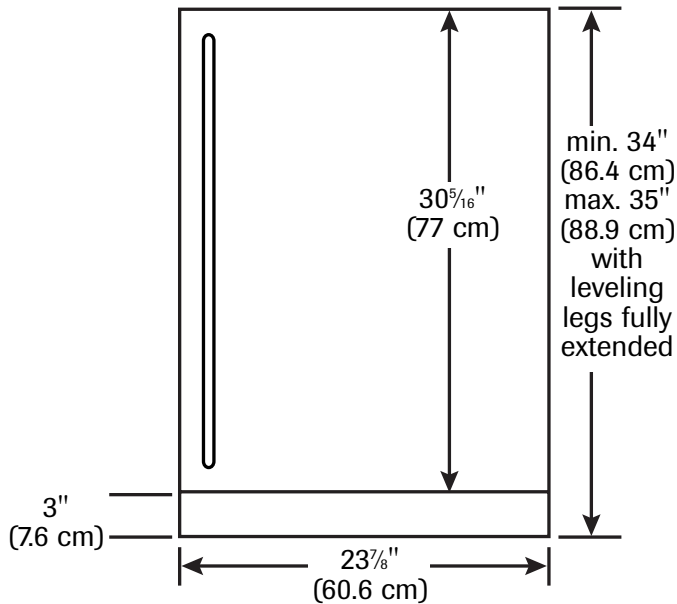
Ventilation is required from the bottom front section of the refrigerator for efficient operation. Keep this area open and clear of any obstructions.

The adjacent cabinets and countertop can be built around the refrigerator as long as no top trim or countertop is installed lower than the top of the hinge.

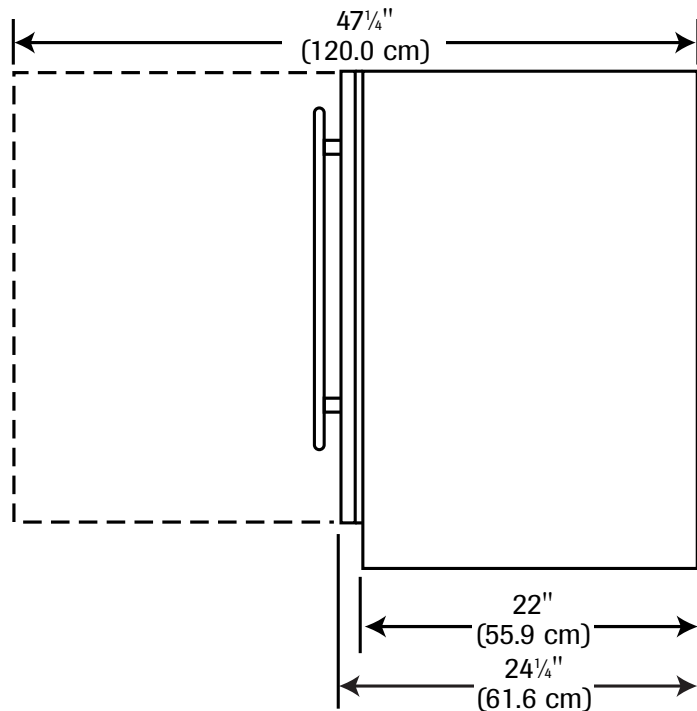
Installation should allow for the refrigerator to be moved if service is ever required.

Dimensions

Front



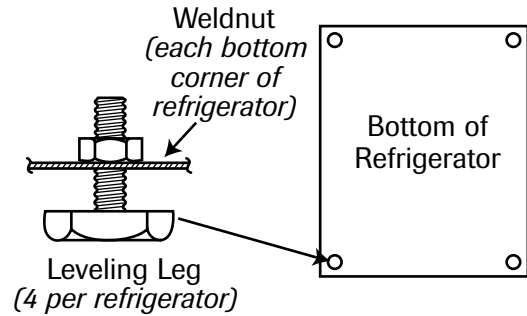
Side



Leveling Legs

Install leveling legs (located in literature pack):

- At least 2 people are needed to tip the refrigerator backwards until there is approximately 12" (30.5 cm) of clearance between the floor and the refrigerator.



- Screw one front leveling leg into the screw impression found in each corner. Leveling legs should be screwed in until snug.
- Repeat the above procedures to install the rear leveling legs.

⚠ WARNING

- To prevent injury, one person should not attempt to tilt the refrigerator by himself. Have someone else assist to prevent the refrigerator from falling during leveling leg installation.

⚠ CAUTION

- The refrigerator should remain upright at least 30 minutes prior to plugging it in.

Level the Refrigerator

Using a carpenter's level, check to be sure the refrigerator is level from side to side and from front to back. Leveling adjustments can be made by turning the leveling legs counter-clockwise to increase height and clockwise to decrease height.

NOTE: The refrigerator should not wobble. Use shims to add stability when needed.

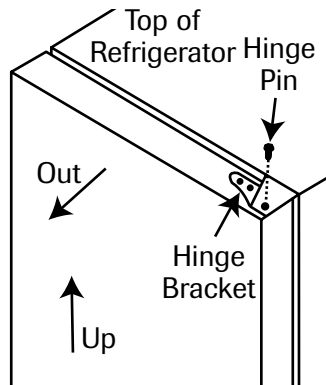
Installation, cont.

Reversing the Door

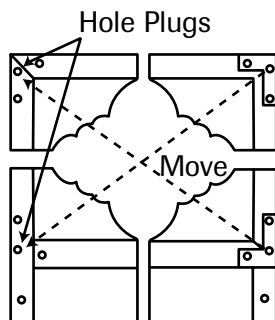
⚠ WARNING

- To avoid electrical shock which can cause severe personal injury or death, disconnect power to the refrigerator before reversing the door.

1. Turn OFF the refrigerator and disconnect the power. Remove top hinge pin with a $\frac{1}{8}$ " Allen wrench. Remove door by pulling it out and upward off bottom hinge pin. Set aside, face down on surface that will not scratch the finish. Remove the small plastic washer from bottom hinge pin.

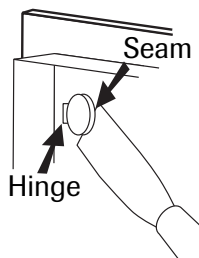


2. Remove the six small plastic hole plugs from the left hand hinge holes using the putty knife. Using a $\frac{5}{16}$ " socket, wrench or nut-driver, remove bottom hinge. Reinstall hinge, moving it to the top left hand side. Using a $\frac{1}{8}$ " Allen wrench, remove the hinge pin from the top left hinge, and install in top right hinge. Now move top right hinge to left bottom. Reinstall the small plastic washer on the bottom hinge pin. Install hole plugs in right side.

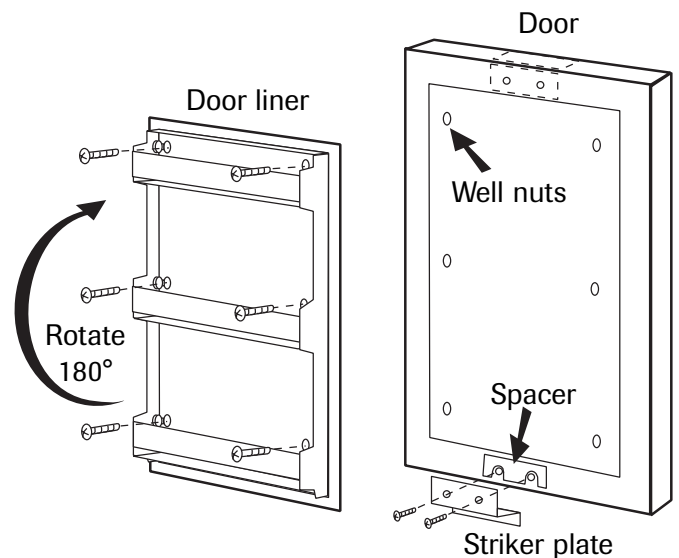


3. Reverse the door interior liner.

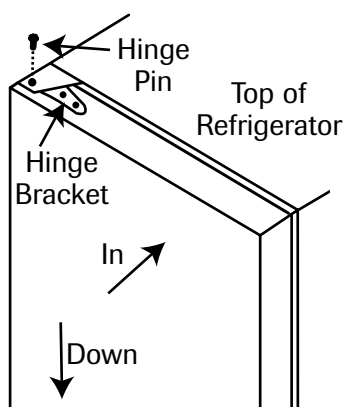
- Remove the door seal.
- Open the 6 hinged screw covers found on the door liner by sliding the blade of thin putty knife into the seam on each cover (be careful not to run the knife through the hinge found on each screw cover).



- Using a Phillips screwdriver, remove the 6 screws that are attaching the liner to the door. The screw covers will rotate with the screws.
- Rotate the door liner 180° and align the screw holes in the door liner with the well nuts in the door.
- Reinstall the screws into the well nuts by first starting all 6 screws and then tightening all 6 screws. This will reattach the door liner to the door. Close the screw covers.
- Move the striker plate to the opposite end of the door.
NOTE: Be sure to install the spacer behind the striker plate in its correct orientation. Failure to do this can interfere with the ability to reinstall the striker plate correctly.
- Reinstall the door seal by pressing it into the door channel, making certain the corners are fully inserted.



4. Reinstall the door by locating it over the bottom hinge pin and pushing down and in. Reinstall the top hinge pin. Check the door for proper alignment. The top and sides of the door should run parallel to the top and side edges of the cabinet.



Some misalignment is acceptable, but the door gasket must seal fully against the cabinet.

Realigning the door may be necessary. Using a $\frac{1}{8}$ " Allen wrench, loosen the two screws on the top and bottom adjustable door hinge bracket. Adjust the door to proper alignment. Make sure door gasket seals fully against the cabinet front. Retighten screws after making adjustments.

5. **Reconnect power to the refrigerator and turn the control back to the ON setting.**

Installing the Custom Door Panel (select models)

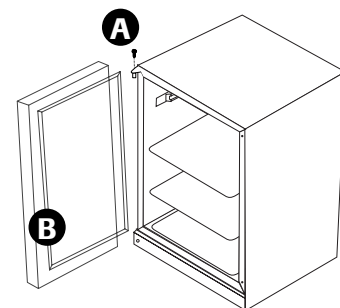
⚠ WARNING

- To avoid electrical shock which can cause severe personal injury or death, disconnect power to refrigerator before installing the custom door panel.

The dimensions for a decorative custom door panel are:

- $23\frac{3}{4}$ " (60.3 cm) Width
- $30\frac{5}{16}$ " (77 cm) Height
- $\frac{3}{4}$ " (1.9 cm) Thickness (maximum)

- Turn OFF the refrigerator and disconnect the power.
- Remove $\frac{1}{8}$ " top hinge pin (A). Remove the door off the bottom hinge pin, noting washer location.
- Remove the door seal (B) to expose the screw holes.



Custom Handle

- A custom handle (not supplied) must be installed.
- Drill pilot holes through the custom panel to match the handle. Countersink the holes on the back of the panel.
- Attach the custom handle to the front door panel assembly.

NOTE: The custom handle screws should be installed through the custom panel and into the custom handle. The screw heads should be countersunk, so the inside panel surface can be installed flush with the refrigerator door.

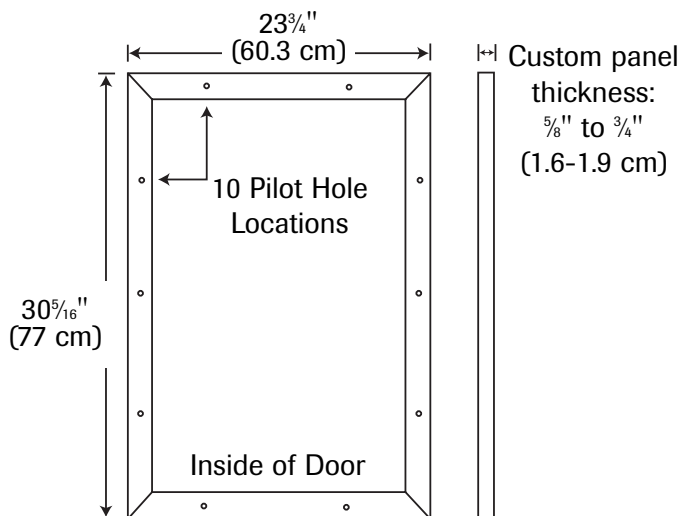
Installation, cont.

Wood Screws

1. #8 pan head wood screws are recommended to properly secure the custom wood panel to the refrigerator door.
2. A total of 10 screws are needed.
3. Use only pan head screws.
4. Be sure the screw length is **NOT** longer than the wood thickness at the screw locations.
5. Use the following pilot hole drill sizes.

Type of Wood	Pilot Hole Drill Size for #8 Pan Head Wood Screws
Hardwood	$\frac{3}{32}$ " (.23 cm)
Softwood	$\frac{5}{64}$ " (.20 cm)

Prepare the Wood Panel

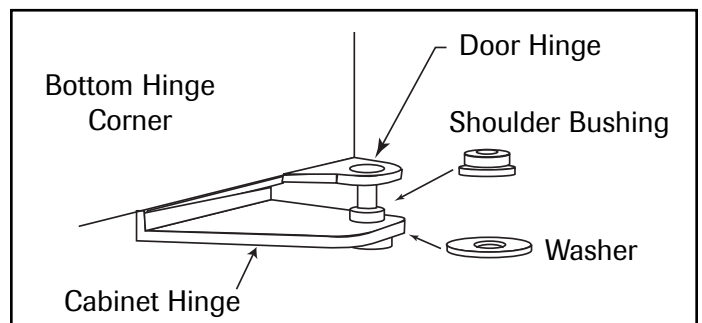
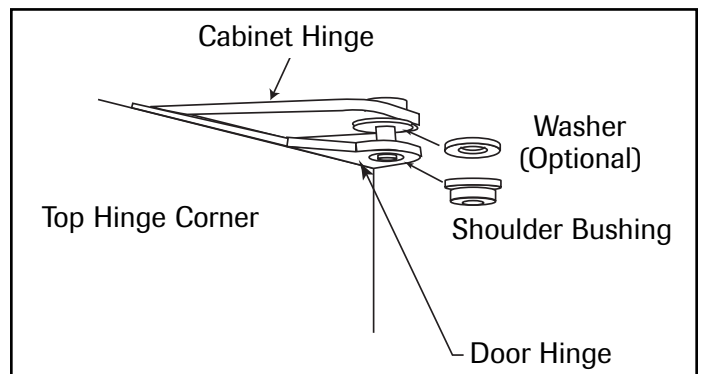


Attach the Wood Panel to the Refrigerator Door

1. Place the custom wood panel on a non-abrasive surface, protected by towels or rugs, to avoid accidental damage to the door finish.
2. Place the refrigerator door flush with the inside surface of the custom wood panel. Clamp the wood panel to the door, if necessary.
3. Mark the hole locations with a pencil.
4. Drill the pilot holes into the custom panel.
5. Insert the wood screws through the back of the door and into the pilot holes in the custom wood panel and tighten.
6. Reinstall the door seal by pressing it into the door channel, making certain the corners are fully inserted.
7. Install the door back on the refrigerator using the supplied plastic washers (as shown below).
8. Realigning the door may be necessary (see page 6).

⚠ CAUTION

- Door can become disengaged if washers are not installed.
- Door may not swing properly if all nylon components are not installed as shown.

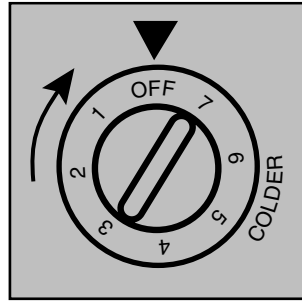


Operation

1. Setting the Control:

The temperature control knob is located at the bottom front of the refrigerator, near the center of the grille.

Initially turn the control clockwise to the middle thermostat setting (4). Allow at least 48 hours for the refrigerator to stabilize before making any adjustments to the initial setting.



The temperature can be adjusted by turning the control clockwise for a colder temperature or counterclockwise for a warmer temperature.

All refrigerator models automatically defrost. No manual defrosting is required.

NOTE: Turning the control knob to OFF stops cooling but does not shut off power to the refrigerator. To disconnect power, the refrigerator must be unplugged or the circuit breaker or fuse board turned off.

Features

Interior Light

The interior light makes it easy to view what is stored in the refrigerator.

The light automatically comes on when the door is opened.

Adjustable Shelves

⚠ CAUTION

- To prevent injury, do not attempt to adjust a shelf while it is loaded. Always empty the shelf prior to adjusting it or moving it to another location.

The interior refrigerator shelves are adjustable.

The shelves rest on rails formed in the side of the refrigerator cabinet.

To adjust shelf height:

- Unload the shelf completely.
- Lift the rear of the shelf up slightly.
- Pull the shelf straight out.
- Slide the shelf onto an alternative railing.

Care and Cleaning

Cleaning

⚠ WARNING

- To avoid electrical shock which can cause severe personal injury or death, disconnect power to the refrigerator before cleaning.

- **Condenser:** The condenser tubing inside the refrigerator does not require frequent cleaning; however, satisfactory cooling depends on adequate ventilation over the coils. Be sure that nothing obstructs the required air flow openings in front of the refrigerator. At least twice a year, brush or vacuum lint and dirt from the condenser for efficient performance by unscrewing the grille on the bottom front of the refrigerator.
- **Cabinet:** The painted cabinet can be washed with mild detergent and water, and thoroughly rinsed with clear water. Never use abrasive scouring powders.
- **Stainless Steel Door:** Use a soft cloth or sponge and wipe with the grain of the stainless steel. Use mild detergent and water for light soil, Bon Ami* for more moderate soil and Cameo Stainless Steel Cleaner* for discoloration. Do not use chlorine bleach or products containing chlorine bleach on stainless steel.

After cleaning, rinse and dry. To restore luster and remove streaks, follow with Stainless Steel Magic Spray* (Jenn-Air model A912, part number 20000008).
- **Interior:** Wash interior compartment with mild detergent and water. Do not use an abrasive powder, solvent, polish cleaner or undiluted detergent.
- **Door Gasket:** The vinyl gasket may be cleaned with mild detergent and water or a solution of 2 tablespoons baking soda to 1 quart of warm water.

Light Bulb Replacement

⚠ WARNING

- To avoid electrical shock which can cause severe personal injury or death, disconnect power to the refrigerator before replacing light bulb. After replacing light bulb, connect power.

⚠ CAUTION

To avoid personal injury or property damage, observe the following:

- Allow light bulb to cool.
- Wear gloves when replacing light bulb.

The refrigerator uses a 15-watt appliance light bulb. To replace the light bulb, proceed as follows:

1. Unplug the power cord from the wall receptacle.
2. Open the cabinet door.
3. Remove lower shelf.
4. Remove the 3 screws on the front face of the light lens.
5. Remove the lens.
6. Unscrew the existing bulb and replace with an equivalent 15-watt, threaded, intermediate base appliance bulb. Do not replace with a bulb higher than 15 watts.
7. Reassemble.
8. Reconnect power.

* Brand names for cleaning products are registered trademarks of the respective manufacturers.

Before Calling for Service

Before calling for service check the troubleshooting table below. This table lists possible problems that you can remedy without difficulty to avoid an unnecessary service call.

PROBLEM	POSSIBLE CAUSE/SOLUTIONS
Odor in refrigerator	<ul style="list-style-type: none"> • Interior needs cleaning.
Noisy operation	<ul style="list-style-type: none"> • Refrigerator not level.
	<ul style="list-style-type: none"> • Weak floor.
Refrigerator cabinet vibrates	<ul style="list-style-type: none"> • Refrigerator not level.
	<ul style="list-style-type: none"> • Weak floor.
Refrigerator light not working	<ul style="list-style-type: none"> • Bulb burned out.
	<ul style="list-style-type: none"> • No power at outlet.
Appliance will not run	<ul style="list-style-type: none"> • Temperature control turned to OFF.
	<ul style="list-style-type: none"> • Line cord not plugged in.
	<ul style="list-style-type: none"> • No power to electrical outlet.
	<ul style="list-style-type: none"> • House fuse blown.
Appliance runs long	<ul style="list-style-type: none"> • Prolonged door openings.
	<ul style="list-style-type: none"> • Control set too cold.
	<ul style="list-style-type: none"> • Condenser needs cleaning.
Moisture collects inside	<ul style="list-style-type: none"> • Too many door openings.
	<ul style="list-style-type: none"> • Hot, humid weather increases condensation.
Moisture collects on outside surface	<ul style="list-style-type: none"> • Hot, humid weather increases condensation. As humidity decreases, moisture will disappear.
	<ul style="list-style-type: none"> • Control improperly set.
Interior too hot/too cold	<ul style="list-style-type: none"> • Control improperly set.
	<ul style="list-style-type: none"> • Temperature is being checked with a faulty thermometer.

If you do need service, contact your dealer or the manufacturer. In any correspondence, refer to the model number and serial number of your refrigerator which is located on the lower front refrigerator flange. Retain your proof of purchase. Record these numbers in the space provided on page 1.

Warranty

Full One Year Warranty

For **one (1) year** from the original retail purchase date, any part which fails in normal home use will be repaired or replaced free of charge.

Limited Warranties - Major Refrigeration Components

Second Through Fifth Years - After the first year from the original purchase date through the end of the fifth year, Maytag ServicesSM will repair or replace, at its option, free of charge for parts and labor (only), any part of the sealed refrigeration system (consisting of the compressor, evaporator, condenser, dryer and connecting tubing) which fail in normal home use. All other costs, including mileage, transportation, trip charge and diagnostic charge, if required, shall be the responsibility of the owner.

Limited Warranties - Other Parts

Second Year - Parts other than major refrigeration components which fail in normal home use during the second year following the original retail purchase date will be repaired or provided free of charge for the part itself, with the owner paying all other costs, including labor, mileage, transportation, trip charge and diagnostic charge, if required.

NOTE: The full warranty and the limited warranties apply when the refrigeration product is located in the U.S.A. or Canada. Products located elsewhere are covered by the limited warranties only including parts that fail during the first year.

LIMITATIONS OF LIABILITY

The warrantor shall not be liable for any incidental or consequential damages, including food loss. Some states do not allow the exclusion or limitation of consequential damages, so the above limitation or exclusion may not apply to you.

*The specific warranties expressed above are the **ONLY** warranties provided by the manufacturer. These warranties give you specific legal rights, and you may also have other rights which vary from state to state.*

To Receive Warranty Service:

To locate an authorized service company in your area contact the Jenn-Air dealer from whom your appliance was purchased; or call Maytag ServicesSM, Jenn-Air Customer Assistance at the number listed below. Should you not receive satisfactory warranty service, please call or write:

Maytag ServicesSM
Attn: Jenn-Air CAIR[®] Center
P.O. Box 2370
Cleveland, TN 37320-2370

U.S.A. and Canada**1-800-JENNAIR**
(1-800-536-6247)

**U.S.A. customers using
TTY for deaf, hearing impaired
or speech impaired****1-800-688-2080**

NOTE: When writing or calling about a service problem, please include the following information:

- Your name, address and telephone number;
- Model number, serial number and revision number;
- Name and address of your dealer and the date the appliance was bought;
- A clear description of the problem you are having;
- Proof of purchase (sales receipt).

What is Not Covered By These Warranties:

1. Conditions and damages resulting from any of the following:
 - a. Improper installation, delivery, or maintenance.
 - b. Any repair, modification, alteration, or adjustment not authorized by the manufacturer or an authorized servicer.
 - c. Misuse, abuse, accidents, or unreasonable use.
 - d. Incorrect electric current, voltage, or supply.
 - e. Improper setting of any control.
2. Warranties are void if the original serial numbers have been removed, altered or cannot be readily determined.
3. Light bulbs.
4. Products purchased for commercial or industrial use.
5. The cost of service or service call to:
 - a. Correct installation errors.
 - b. Instruct the user on the proper use of the product.
 - c. Transport the appliance to the servicer.
6. Consequential or incidental damages sustained by any person as a result of any breach of these warranties.

Some states do not allow the exclusion or limitation of consequential or incidental damages, so the above may not apply.

User's guides, service manuals and parts information are available from Maytag ServicesSM, Jenn-Air Customer Assistance.

Jenn-Air • 403 West Fourth Street North • P.O. Box 39 • Newton, Iowa 50208

RÉFRIGÉRATEUR SOUS COMPTOIR JENN-AIR

GUIDE DE L'UTILISATEUR

TABLE DES MATIÈRES

Introduction.....	13
Sécurité.....	14
Installation.....	15-19
Fonctionnement.....	20
Caractéristiques.....	20
Entretien et nettoyage.....	21
Avant de contacter un réparateur.....	22
Garantie.....	23
Guía del Usuario.....	24

Introduction

Félicitations pour l'achat de ce réfrigérateur Jenn-Air.

Nous apprécions votre décision d'achat et sommes confiants que vous serez satisfait de cet appareil pendant des années à venir. Pour l'obtention des meilleurs résultats, nous vous suggérons de lire attentivement ce guide. Vous y trouverez des instructions sur les méthodes adéquates d'utilisation et d'entretien.

Si, à l'avenir, vous aviez besoin d'assistance pour ce réfrigérateur, il sera extrêmement utile que vous ayez inscrit ci-dessous le numéro de modèle et le numéro de série de l'appareil. Ces numéros se trouvent sur une plaque signalétique, à l'intérieur du réfrigérateur en haut sur la paroi gauche supérieure.

Numéro de modèle : _____

Numéro de série : _____

Date de l'achat : _____

Nom du détaillant : _____

Adresse du détaillant : _____

Numéro de téléphone du détaillant : _____

Ce que vous devez savoir sur les instructions de sécurité

Les instructions de sécurité importantes et les avertissements paraissant dans ce guide ne sont pas destinés à couvrir toutes les situations et conditions éventuelles qui peuvent se présenter. Il faut faire preuve de bon sens et de prudence lors de l'installation, de l'entretien ou de l'utilisation de ce réfrigérateur.

Prenez toujours contact avec votre détaillant, distributeur, agent de service ou fabricant, au sujet de problèmes ou conditions que vous ne comprenez pas.

Avant de contacter un réparateur...

Si quelque chose vous semblait inhabituel, veuillez vérifier la section «Avant de contacter un réparateur», qui est prévue pour vous aider à résoudre les problèmes de base avant de faire appel au service après-vente.

Que faire si ces caractéristiques sont différentes de celles de mon réfrigérateur?

Ce guide est prévu pour vous indiquer toute la variété possible de caractéristiques, disponibles dans la gamme de produits. Pour toute question, veuillez nous écrire (indiquez le numéro de modèle et votre numéro de téléphone), à :

Maytag ServicesSM

Attn: Jenn-Air CAIR[®] Center

P.O. Box 2370

Cleveland, TN 37320-2370

É.-U. et Canada 1-800-JENNAIR

(1-800-536-6247)

1-800-688-2080 (télétype aux É.-U. pour handicap de l'audition ou de l'élocution)

(Lundi - vendredi, 8 h - 20 h - heure de l'Est)

Site Internet : <http://www.jennair.com>

Reconnaissez les étiquettes, phrases ou symboles sur la sécurité

DANGER

DANGER – risques immédiats qui **RÉSULTERONT** en de graves blessures ou même la mort.

AVERTISSEMENT

AVERTISSEMENT – risques ou pratiques non sûres, qui **POURRAIENT** résulter en de graves blessures ou même la mort.

ATTENTION

ATTENTION – risques ou pratiques non sûres qui **POURRAIENT** résulter en des blessures mineures.

Instructions de sécurité importantes

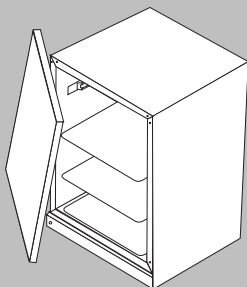
⚠ AVERTISSEMENT

- Toujours suivre les précautions de base suivantes lors de l'utilisation de l'appareil.
- Utiliser le réfrigérateur uniquement pour son application prévue.
- Pour éviter un risque de choc électrique, ne jamais brancher le réfrigérateur sur une prise de courant qui n'a pas été adéquatement reliée à la terre, conformément aux prescriptions des codes national et local des installations électriques. Voir ci-dessous l'avertissement ⚠ et les instructions connexes.
- Débrancher le réfrigérateur avant de le nettoyer, d'y faire de l'entretien ou de remplacer une ampoule.
- En cas de panne d'électricité, éviter d'ouvrir la porte.
- Réparer ou remplacer immédiatement tout cordon d'alimentation électrique qui a été endommagé ou effiloché. Ne jamais tirer sur le cordon pour débrancher l'appareil.
- Pour éviter un incendie, le réfrigérateur ne doit pas être utilisé dans un endroit où se trouve de l'essence ou d'autres liquides et vapeurs inflammables.
- Pour éviter les blessures, les enfants ne doivent pas escalader ce réfrigérateur ni s'y suspendre ou s'y tenir debout.

⚠ DANGER

Les risques d'enfermement et d'étouffement d'un enfant dans un produit de réfrigération n'ont pas disparu. Un produit de réfrigération abandonné demeure dangereux... même s'il ne reste accessible ainsi «que pendant quelques jours». Lorsqu'on se débarrasse d'un vieil appareil de réfrigération, il faut appliquer les instructions ci-dessous pour éviter tout accident.

- Démontez la ou les portes.
- Laissez les clayettes en place pour qu'un enfant ne puisse pas facilement s'y introduire.

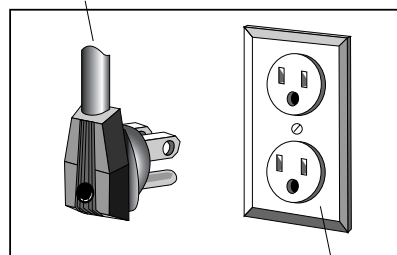


⚠ AVERTISSEMENT

- Cet appareil est conçu pour être alimenté à partir du réseau normal de 115 V / 60 Hz, 15 A. L'appareil devrait être alimenté par un circuit indépendant, mis à la terre. Ne pas utiliser un câble de rallonge. Ne jamais utiliser un dispositif susceptible de dégrader la performance électrique de l'appareil.

Cet appareil est doté d'une fiche de branchement à 3 broches (pour liaison à la terre), ce qui assure une protection adéquate contre les risques de chocs électriques. On doit brancher l'appareil uniquement sur une prise de courant mise à la terre. Si la prise de courant disponible ne comporte que deux alvéoles, c'est au client qu'incombe la responsabilité et l'obligation personnelle de la faire remplacer par une prise de courant à 3 alvéoles convenablement reliée à la terre. On ne doit jamais, quelles que soient les circonstances, couper ou arracher la troisième broche (liaison à la terre) de la fiche de branchement. **Ne jamais utiliser une fiche d'adaptation.**

Cordon d'alimentation avec fiche à 3 broches mise à la terre



Prise de courant murale mise à la terre

⚠ AVERTISSEMENT

- Ce réfrigérateur, quelles que soient les circonstances, doit toujours être mis à la terre.

Conserver ces instructions comme références

Installation

Outils nécessaires

- Clé Allen de 1/8 po
- Douille de 5/16 po
- Tournevis Phillips
- Couteau à mastic
- Niveau à bulle

Sélection de l'emplacement

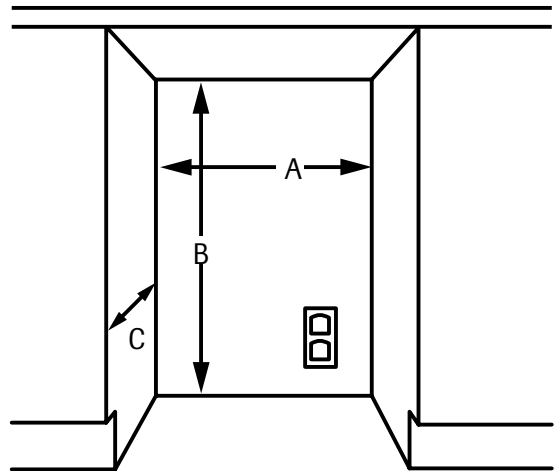
Ce réfrigérateur est conçu pour être installé sous un comptoir ou plan de travail. Un emplacement approprié assurera une performance optimale de cet appareil. Choisir un endroit à l'intérieur, éloigné de la chaleur et de l'exposition directe au soleil. Le meilleur rendement est obtenu quand cet appareil est installé dans un milieu dont les paramètres correspondent à ce qui suit:

Plage de température idéale de la pièce

Encastré.....65-80 °F
(18,3 - 26,7 °C)

Les dispositions concernant l'installation électrique doivent être prises avant de mettre le réfrigérateur dans l'emplacement définitif (voir page 14).

Dimensions de l'ouverture entre les armoires



OUVERTURE SOUS LE COMPTOIR	
A	24 po (61,0 cm)*
B	Min. 34 po (87,6 cm) Max. 35 1/4 po (89,5 cm)
C	24 1/8 (61,3 cm)

* Si la porte se trouve également encastrée dans l'ouverture, cette ouverture doit alors être de 24 1/4 po (61,6 cm).

Dégagement

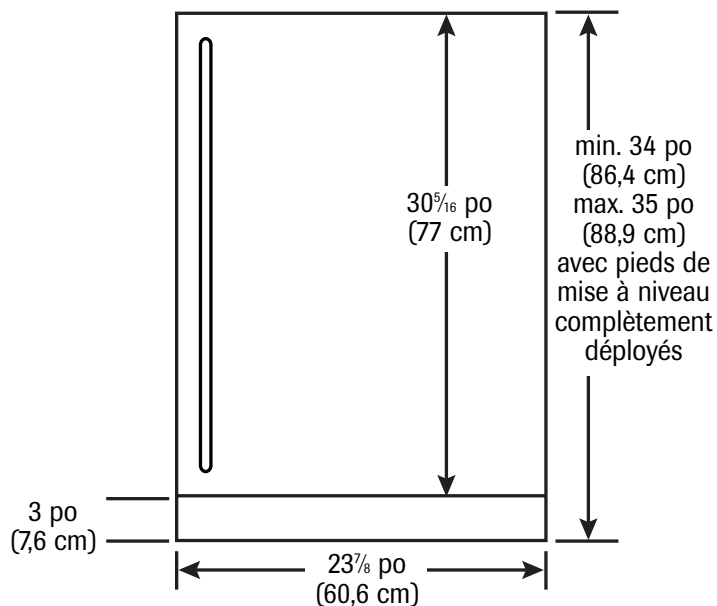
Une aération est nécessaire à partir du bas à l'avant du réfrigérateur pour que celui-ci fonctionne avec efficacité. Garder cette zone ouverte et sans obstruction.

Les armoires et le comptoir adjacents peuvent être installés autour du réfrigérateur tant qu'une garniture ou le comptoir ne se trouvent pas à un niveau inférieur au sommet de la charnière.

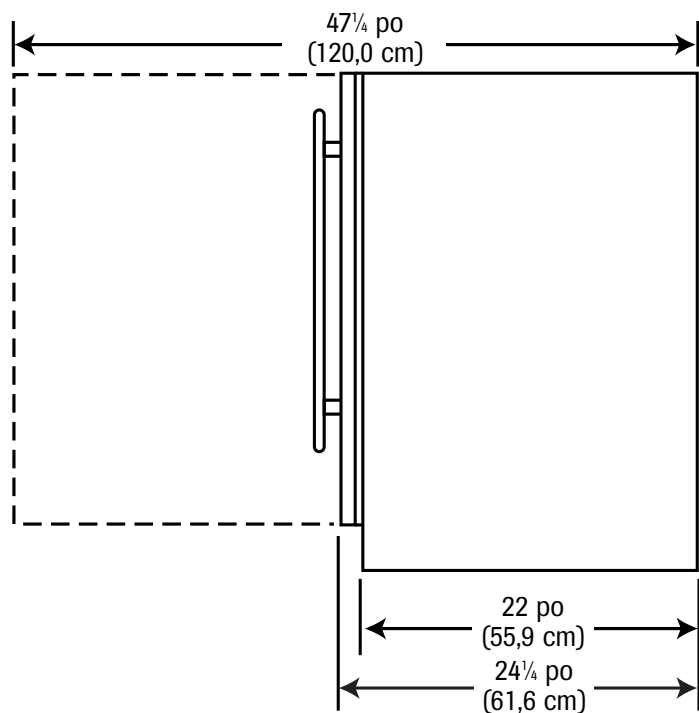
L'installation une fois terminée devra permettre l'enlèvement du réfrigérateur si cela devenait nécessaire.

Dimensions

Devant



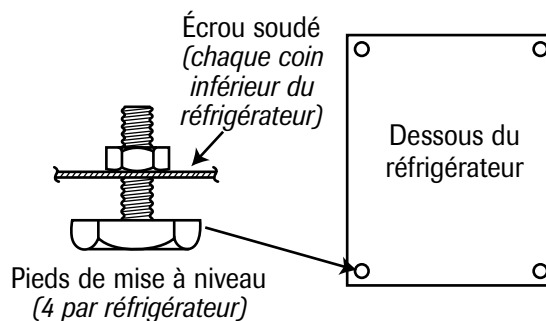
Côté



Pieds de mise à niveau

Installer les pieds de mise à niveau (fournis dans le paquet de documentation) :

- Il faut 2 personnes pour incliner le réfrigérateur vers l'arrière afin d'obtenir un dégagement d'environ 12 po (30 cm) entre le sol et le réfrigérateur.



- Visser un pied de mise à niveau dans chaque coin avant du dessous de l'appareil. Serrer les pieds de mise à niveau à fond sans les bloquer.
- Répéter cette technique pour installer les pieds de mise à niveau arrière.

⚠ AVERTISSEMENT

- Pour éviter de se blesser, une personne seule ne doit pas incliner le réfrigérateur. Demander l'aide d'une autre personne pour éviter que le réfrigérateur ne se renverse pendant l'installation des pieds de mise à niveau.

⚠ ATTENTION

- Le réfrigérateur devra demeurer à la verticale pendant au moins 30 minutes avant de le brancher.

Mise à niveau du réfrigérateur

En utilisant le niveau à bulle, vérifier si le réfrigérateur est bien à niveau latéralement et entre l'avant et l'arrière. Les ajustements de la mise à niveau doivent être réalisés en tournant les pieds de mise à niveau dans le sens antihoraire pour relever l'appareil et dans le sens horaire pour le baisser.

REMARQUE : Le réfrigérateur doit être bien stable. Utilisez au besoin des cales pour obtenir une bonne stabilité.

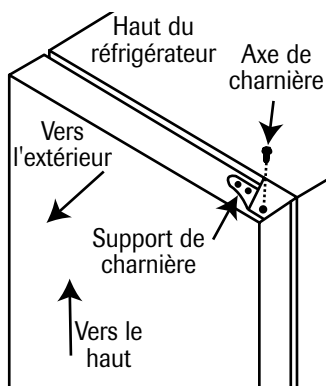
Installation (suite)

Inversion de la porte

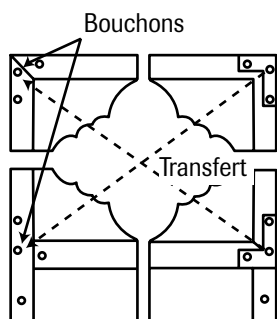
⚠ AVERTISSEMENT

- Pour éviter tout risque de décharge électrique pouvant entraîner des blessures graves ou même la mort, débranchez le réfrigérateur avant d'inverser la porte.

1. Mettez le réfrigérateur à l'ARRÊT et débranchez-le. Retirez l'axe de la charnière supérieure avec une clé Allen de $\frac{1}{8}$ po. Enlevez la porte en la tirant vers l'extérieur et vers le haut hors de l'axe de la charnière inférieure. Mettez la porte de côté, sa façade vers le bas et sur une surface qui n'égratignera pas sa finition. Retirez la petite rondelle en plastique de l'axe de la charnière inférieure.

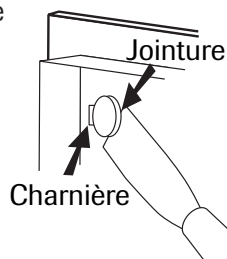


2. Retirez les six petits bouchons en plastique des trous de la charnière gauche en utilisant le couteau à mastic. En utilisant une clé, un tourne-écrou avec une douille de $\frac{5}{16}$ po, retirez la charnière inférieure. Remontez la charnière, en la mettant à la partie supérieure gauche. En utilisant une clé Allen de $\frac{1}{8}$ po, enlevez l'axe de la charnière supérieure gauche et installez-le dans la charnière supérieure droite. Maintenant, mettez la charnière supérieure droite à la partie inférieure gauche. Remettez la petite rondelle en plastique sur l'axe de la charnière inférieure. Installez les bouchons dans les trous du côté droit.



3. Inversez le revêtement de contre-porte.

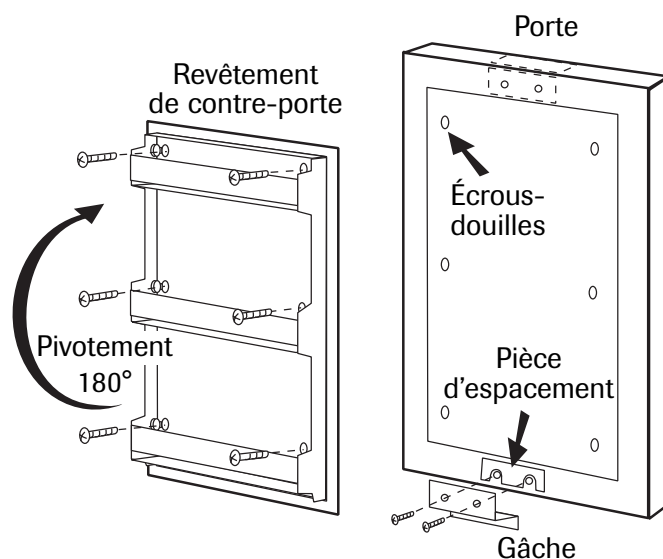
- Retirez le joint de la porte.
- Ouvrez les 6 couvre-vis à charnière du revêtement de la contre-porte en glissant la lame d'un couteau à mastic dans la jointure de chaque couvre-vis (en faisant attention de ne pas trancher la charnière des couvre-vis).



- En utilisant un tournevis Phillips, enlevez les 6 vis qui retiennent le revêtement de contre-porte. Les couvre-vis tournent avec les vis.
- Pivotez le revêtement de contre-porte de 180° et alignez les trous des vis du revêtement avec les écrous-douilles de la porte.
- Remettez les vis dans les écrous-douilles, en vissant partiellement ces 6 vis, puis en les serrant toutes complètement. Ainsi, le revêtement de contre-porte sera fixé à la porte. Refermez les couvre-vis.
- Mettez la gâche sur le côté opposé de la porte.

REMARQUE : assurez-vous d'installer la pièce d'espacement derrière la gâche en l'orientant correctement. Sinon, il peut ne pas être possible de remonter la gâche correctement.

- Remontez le joint de la porte en le pressant dans la rainure de la porte et en vous assurant qu'il se trouve aussi bien inséré dans les coins.



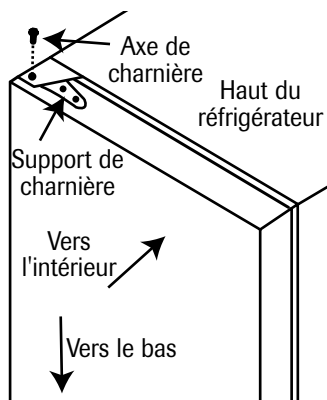
4. Remontez la porte en la plaçant sur l'axe de la charnière inférieure, en la baissant d'abord.

Remontez l'axe de la charnière supérieure. Vérifiez si la porte est bien alignée. Le haut et les côtés de la porte doivent être parallèles en haut et sur les côtés de la caisse du réfrigérateur.

Un léger désalignement est acceptable, mais le joint de la porte doit être bien assis contre la caisse sur tout son pourtour.

Un réglage de l'alignement de la porte peut être nécessaire. Utilisez une clé Allen de 1/8 po pour desserrer les deux vis du support réglable des charnières inférieure et supérieure. Ajustez la porte pour bien l'aligner. Assurez-vous que le joint de la porte se trouve bien contre le devant de la caisse. Resserrez les vis une fois les réglages terminés.

5. **Branchez le réfrigérateur et mettez la commande sur le réglage "ON" (Marche).**



Installation du panneau de porte personnalisé (certains modèles)

⚠ AVERTISSEMENT

- Pour éviter tout risque de décharge électrique pouvant entraîner des blessures graves ou même la mort, débranchez le réfrigérateur avant d'installer le panneau de porte personnalisé.

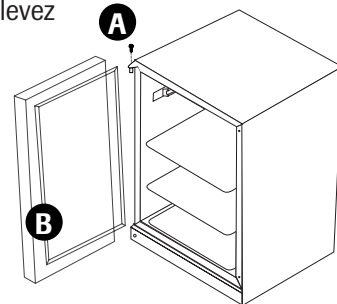
Les dimensions du panneau de porte décoratif personnalisé sont :

Largeur : 23 $\frac{3}{4}$ po (60,3 cm)

Hauteur : 30 $\frac{5}{16}$ po (77 cm)

Épaisseur (maximale) : $\frac{3}{4}$ po (1,9 cm)

1. Mettez le réfrigérateur à l'ARRÊT et débranchez-le.
2. Retirez l'axe de la charnière supérieure de $\frac{1}{8}$ po (A). Enlevez la porte de la charnière inférieure, en tenant compte de l'emplacement de la rondelle.



3. Retirez le joint de la porte (B) pour exposer les trous de vis.

Poignée personnalisée

1. Une poignée personnalisée (non fournie) doit être installée.
2. Percez des avant-trous dans le panneau personnalisé selon la poignée. Lamez les trous à l'arrière du panneau.
3. Fixez la poignée personnalisée à l'ensemble de panneau de porte avant.

REMARQUE : Les vis de la poignée personnalisée doivent être installées à travers le panneau personnalisé et vissées dans la poignée personnalisée. La tête des vis doit être logée dans la partie fraisée de la surface du panneau afin d'être lisse par rapport à la porte du réfrigérateur.

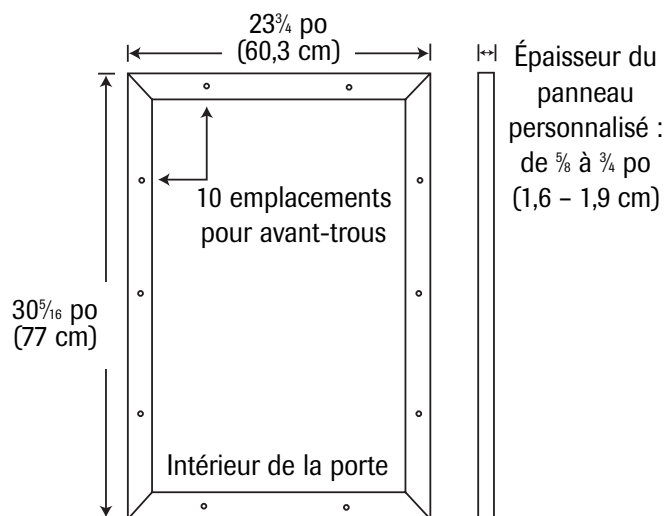
Installation (suite)

Vis à bois

1. Des vis à bois à tête cylindrique large n° 8 sont recommandées pour fixer correctement le panneau en bois personnalisé à la porte du réfrigérateur.
2. Un total de 10 vis sont nécessaires.
3. N'utilisez que des vis à tête cylindrique large.
4. Assurez-vous que la longueur des vis **N'est PAS** supérieure à celle de l'épaisseur du panneau en bois aux emplacements des vis.
5. Utilisez les dimensions suivantes pour les avant-trous:

Type de bois	Dimensions des avant-trous des vis à bois à tête cylindrique large n° 8
Bois dur	$\frac{3}{32}$ po (0,23 cm)
Bois tendre	$\frac{5}{64}$ po (0,20 cm)

Préparation du panneau en bois



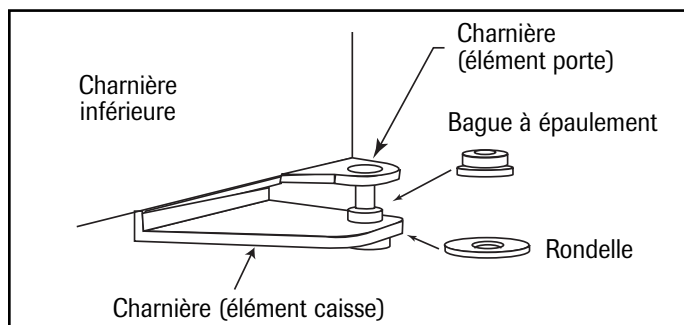
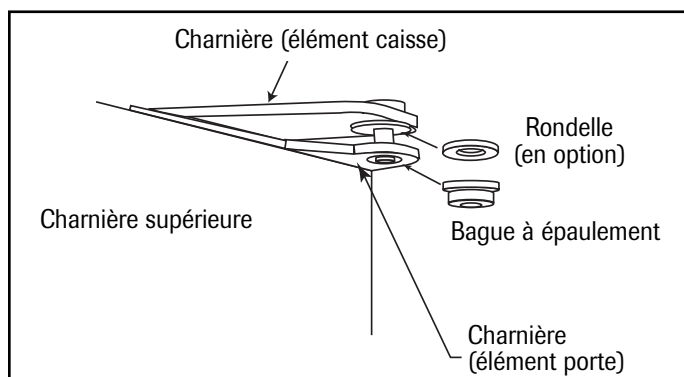
Fixation du panneau en bois à la porte du réfrigérateur

1. Placez le panneau en bois personnalisé sur une surface non abrasive, en le protégeant avec des serviettes ou un tapis, pour éviter d'endommager accidentellement la finition de la porte.

2. Placez la porte du réfrigérateur afin qu'elle soit en affleurement avec la surface intérieure du panneau en bois personnalisé. Au besoin, fixez le panneau en bois à la porte avec des serre-joints.
3. Faites des repères pour l'emplacement des trous à percer, avec un crayon.
4. Percez des avant-trous dans le panneau personnalisé.
5. Insérez les vis à bois à l'arrière de la porte et dans les avant-trous du panneau en bois personnalisé et serrez-les.
6. Remontez le joint de la porte en le pressant dans la rainure de la porte et en vous assurant que les coins du joint sont bien insérés.
7. Remontez la porte sur le réfrigérateur en utilisant les rondelles en plastique fournies (comme il est illustré ci-dessous).
8. Alignez la porte à nouveau si cela est nécessaire (voir page 18).

⚠ ATTENTION

- La porte peut se défaire si les rondelles ne sont pas installées.
- La porte peut ne pas pivoter correctement si tous les éléments en nylon ne sont pas installés comme il est illustré.

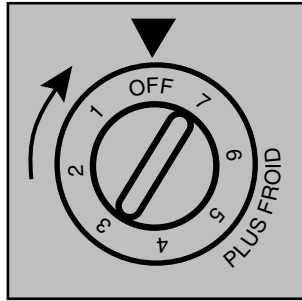


Fonctionnement

1. Réglage de la commande

Le bouton de réglage de la température est situé au bas, à l'avant du réfrigérateur près du centre de la grille.

Commencez par tourner la commande dans le sens horaire jusqu'au réglage du milieu du thermostat (4). Attendez au moins 48 heures pour que le réfrigérateur se stabilise avant de faire tout autre réglage de la commande.



Vous pouvez régler la température en tournant le bouton - dans le sens horaire pour la baisser ou dans le sens antihoraire pour la relever.

Tous les modèles de réfrigérateur ont un dégivrage automatique; donc, aucun dégivrage manuel n'est nécessaire.

REMARQUE : En tournant le bouton de commande à la position OFF (Arrêt), le refroidissement cesse mais l'alimentation au réfrigérateur n'est pas coupée. Pour éliminer l'alimentation, le réfrigérateur doit être débranché, ou le disjoncteur déclenché ou encore l'alimentation peut être coupée au niveau du tableau des fusibles.

Caractéristiques

Éclairage

La lampe à l'intérieur permet de mieux voir ce qui est rangé dans le réfrigérateur.

La lampe s'allume automatiquement une fois que la porte est ouverte.

Clayettes réglables

⚠ ATTENTION

- Pour éviter les blessures, n'essayez pas d'ajuster une clayette quand celle-ci est chargée. Enlevez toujours tout ce qui se trouve sur la clayette avant de l'ajuster ou de la mettre à un autre niveau.

Les clayettes du réfrigérateur sont réglables.

Les clayettes reposent sur des nervures formées à l'intérieur de la caisse du réfrigérateur.

Réglage de la hauteur des clayettes :

- Enlevez tout ce qui pourrait se trouver sur la clayette.
- Soulevez légèrement l'arrière de la clayette.
- Tirez la clayette tout droit vers l'extérieur.
- Faites coulisser la clayette sur les nervures d'un autre niveau.

Entretien et nettoyage

Nettoyage

⚠ AVERTISSEMENT

- Pour éviter tout choc électrique pouvant entraîner de graves blessures ou même la mort, débranchez le réfrigérateur avant de le nettoyer.

• **Condenseur** : Le tube de condenseur à l'intérieur du réfrigérateur ne nécessite pas un nettoyage fréquent. Cependant, un refroidissement satisfaisant dépend d'une ventilation appropriée sur les serpentins. Assurez-vous qu'il n'y ait rien qui puisse gêner le mouvement d'air nécessaire au niveau des ouvertures à l'avant du réfrigérateur. À l'aide d'une brosse ou avec un aspirateur, enlevez au moins deux fois par an toute la charpie ou la saleté pouvant se trouver sur le condenseur afin de maintenir une performance optimale. Pour cela, dévissez la grille, sur le devant au bas du réfrigérateur.

• **Caisse** : La caisse peinte peut être lavée avec une solution d'eau légèrement savonneuse, puis bien rincée avec de l'eau propre. N'utilisez jamais de poudre à récurer abrasive.

• **Porte en acier inoxydable** : Utilisez un chiffon doux ou une éponge. Passez-le dans le sens du grain de l'acier inoxydable. Utilisez une solution d'eau légèrement savonneuse pour les petites salissures; Bon Ami* pour les salissures modérées ou le nettoyant Cameo Stainless Steel Cleaner* en cas de décoloration de l'acier inoxydable. N'utilisez pas d'agent de blanchiment chloré ou de produit contenant un tel agent sur l'acier inoxydable.

Après le nettoyage, rincez et laissez sécher. Pour redonner du brillant et éliminer les marques, utilisez alors le produit Stainless Steel Magic Spray* (Jenn-Air modèle !912, pièce numéro 20000008).

• **Intérieur** : Lavez le compartiment intérieur avec une solution d'eau légèrement savonneuse. N'utilisez pas une poudre abrasive, du solvant, un nettoyant à polir, ou du détergent non dilué.

• **Joint de la porte** : Le joint en vinyle peut être nettoyé avec une solution d'eau légèrement savonneuse ou avec une solution comportant deux cuillères à soupe de bicarbonate de soude pour 1 litre (une pinte) d'eau chaude.

Remplacement de l'ampoule

⚠ AVERTISSEMENT

- Pour éviter tout choc électrique pouvant entraîner de graves blessures ou même la mort, débranchez le réfrigérateur avant de remplacer l'ampoule. Après le remplacement de l'ampoule, rebranchez le réfrigérateur.

⚠ ATTENTION

Pour éviter blessure ou dommage matériel, observez les points suivants :

- Laissez l'ampoule se refroidir.
- Portez des gants lorsque vous remplacez une ampoule.

Le réfrigérateur utilise une ampoule de 15 watts pour appareil électroménager. Pour remplacer l'ampoule, procédez comme suit :

1. Débranchez l'appareil.
2. Ouvrez la porte du réfrigérateur.
3. Retirez la clayette inférieure.
4. Enlevez les 3 vis sur le devant du cabochon.
5. Retirez le cabochon.
6. Dévissez l'ampoule et remplacez-la par une ampoule de 15 watts équivalente, avec culot à vis intermédiaire pour appareil électroménager. N'utilisez pas une ampoule de plus de 15 watts.
7. Remontez le cabochon.
8. Rebranchez l'appareil.

* Les noms de marque des produits de nettoyage sont des marques déposées des fabricants respectifs.

Avant de contacter un réparateur

Avant d'appeler un réparateur, consultez le tableau ci-dessous. Ce tableau présente des problèmes possibles que vous pouvez résoudre vous-mêmes, sans difficulté; vous évitant ainsi d'avoir à appeler pour du service après-vente.

PROBLÈME	CAUSE/SOLUTIONS POSSIBLES
Odeur dans le réfrigérateur	<ul style="list-style-type: none">• Un nettoyage de l'intérieur du réfrigérateur est nécessaire.
Fonctionnement bruyant	<ul style="list-style-type: none">• Le réfrigérateur n'est pas de niveau.• Le sol est instable.
La caisse du réfrigérateur vibre	<ul style="list-style-type: none">• Le réfrigérateur n'est pas de niveau.• Le sol est instable.
La lampe du réfrigérateur ne fonctionne pas	<ul style="list-style-type: none">• L'ampoule est grillée.• Il n'y a pas de courant au niveau de la prise.
L'appareil ne fonctionne pas	<ul style="list-style-type: none">• La commande de température est sur « OFF » (ARRÊT).• La fiche du cordon d'alimentation n'est pas branchée.• Il n'y a pas de courant au niveau de la prise.• Fusible sauté / disjoncteur déclenché.
L'appareil fonctionne pendant de longues durées	<ul style="list-style-type: none">• La porte reste ouverte trop longtemps.• Le bouton de commande se trouve sur un réglage trop haut.• Un nettoyage du condenseur est nécessaire.
L'intérieur est humide	<ul style="list-style-type: none">• La porte est trop souvent ouverte.• Le temps chaud et humide augmente la condensation.
La surface extérieure de l'appareil est humide	<ul style="list-style-type: none">• Le temps chaud et humide augmente la condensation. L'humidité diminuera quand l'humidité ambiante diminuera.• Bouton de commande mal réglé.
L'intérieur est trop chaud/ trop froid	<ul style="list-style-type: none">• Bouton de commande mal réglé.• Un thermomètre défectueux est utilisé pour vérifier la température.

Si vous avez besoin de service après-vente, communiquez avec le détaillant ou le fabricant. Indiquez dans toute correspondance, le numéro de modèle et le numéro de série du réfrigérateur qui se trouve sur le flasque à l'avant à la partie inférieure du réfrigérateur. Conservez votre preuve d'achat. Inscrivez ces numéros dans l'espace prévu à cette fin à la page 13.

Garantie

Garantie complète d'une année

Durant une période d'un (1) an à compter de la date de l'achat initial, toute pièce qui se révélerait défectueuse dans des conditions normales d'usage ménager, sera réparée ou remplacée gratuitement.

Garantie limitée – Principaux éléments du système de réfrigération

Deuxième à cinquième année – Après la première année suivant la date de l'achat initial, jusqu'à la fin de la cinquième année, Maytag ServicesSM réparera ou remplacera, à son choix, gratuitement pour les pièces et la main-d'œuvre (seulement), toute pièce du système de réfrigération scellé (comprenant le compresseur, l'évaporateur, le condenseur, le déshydrateur et la tubulure) qui se révélerait défectueuses dans des conditions normales d'usage ménager. Le cas échéant, le propriétaire devra assumer tous les frais de déplacement, de transport, de diagnostic et le kilométrage.

Garantie limitée – Autres pièces

Deuxième année – Les pièces autres que les principaux éléments du système de réfrigération, qui se révéleraient défectueuses dans des conditions normales d'usage ménager durant la deuxième année suivant la date de l'achat initial, seront réparées ou fournies gratuitement pour la pièce elle-même. Le propriétaire devra assumer tous les autres frais, y compris la main-d'œuvre, les frais de déplacement, de transport, de diagnostic et le kilométrage.

REMARQUE: Cette garantie complète et les garanties limitées ne s'appliquent qu'à un produit de réfrigération situé aux États-Unis ou au Canada. Les produits de réfrigération situés ailleurs ne sont couverts que par les garanties limitées, y compris dans le cas de pièces qui se révéleraient défectueuses la première année.

LIMITES DE RESPONSABILITÉ

Le garant ne sera responsable d'aucun dommage secondaire ou indirect, y compris perte de produits alimentaires. Certains états ou provinces ne permettent pas l'exclusion ou la limitation des dommages secondaires ou indirects; par conséquent, les limitations ou exclusions ci-dessus peuvent ne pas s'appliquer à votre cas.

*Les garanties spécifiques formulées ci-dessus sont les **SEULES** que le fabricant accorde. Cette garantie vous confère des droits juridiques spécifiques et vous pouvez également jouir d'autres droits, variables d'un état à un autre ou d'une province à une autre.*

Service en vertu de la garantie :

Pour localiser une entreprise de service après-vente agréée dans votre région, contactez le détaillant Jenn-Air où le réfrigérateur a été acheté ou encore contactez le service à la clientèle Jenn-Air, Maytag ServicesSM, au numéro indiqué ci-dessous. Si les prestations de garantie ne vous donnent pas satisfaction, veuillez appeler ou écrire à :

Maytag ServicesSM

Attn: Jenn-Air CAIR® Center

P.O. Box 2370

Cleveland, TN 37320-2370

É.-U. et CANADA :1-800-JENNAIR (1-800-536-6247)

Pour les clients, aux É.-U.,

présentant un handicap de

l'audition ou de l'élocution,1-800-688-2080

REMARQUE : Lors de toute communication écrite ou par téléphone au sujet d'un problème de service après-vente non résolu, veuillez fournir les renseignements suivants :

- vos nom, adresse et numéro de téléphone;
- numéros de modèle, de série et de révision;
- nom et adresse du détaillant et date d'achat;
- description claire du problème rencontré;
- Preuve d'achat (coupon de caisse).

Ne sont pas couverts par cette garantie :

1. Les dommages ou dérangements dus à :
 - a. Mise en service, livraison ou entretien effectués incorrectement.
 - b. Toute réparation, modification, altération et tout réglage non autorisés par le fabricant ou par un prestataire de service après-vente agréé.
 - c. Accidents, mauvaise utilisation ou usage abusif ou déraisonnable.
 - d. Alimentation électrique (tension, intensité) incorrecte.
 - e. Réglage incorrect d'une commande.
2. Les garanties ne peuvent être honorées si les numéros de série d'origine ont été enlevés, modifiés ou ne sont pas facilement lisibles.
3. Ampoules.
4. Appareils achetés aux fins d'usage commercial ou industriel.
5. Les frais de visite d'un prestataire de service ou de service après-vente encourus pour les raisons suivantes :
 - a. Correction d'erreurs de mise en service.
 - b. Initiation de l'utilisateur à l'emploi de l'appareil.
 - c. Transport de l'appareil aux locaux du prestataire de service.
6. Dommages secondaires ou indirects subis par toute personne suite au non-respect de la garantie.

Certains états ou provinces ne permettent pas l'exclusion ou la limitation des dommages secondaires ou indirects; par conséquent, les limitations ou exclusions ci-dessus peuvent ne pas s'appliquer à votre cas.

Les guides de l'utilisateur, les manuels de service et l'information sur les pièces sont disponibles auprès du service à la clientèle Maytag, ServicesSM, Jenn-Air Customer Assistance.

Jenn-Air • 403 West Fourth Street North • P.O. Box 39 • Newton, Iowa 50208

REFRIGERADOR DEBAJO DE LA MESADA JENN-AIR

GUÍA DEL USUARIO

TABLA DE MATERIAS

Introducción.....	25
Seguridad.....	26
Instalación.....	27-31
Funcionamiento.....	32
Características.....	32
Cuidado y Limpieza.....	33
Antes de Solicitar Servicio.....	34
Garantía.....	35

Introducción

Lo felicitamos por la compra de un refrigerador Jenn-Air.

Le agradecemos que haya seleccionado este electrodoméstico y estamos seguros que usted estará feliz con su adquisición durante muchos años. Para obtener los mejores resultados, por favor lea atentamente esta guía. En ella se encuentran las instrucciones para el funcionamiento y mantenimiento apropiado.

Si alguna vez necesita ponerse en contacto con nosotros sobre el refrigerador, será muy útil que anote en el espacio provisto a continuación el número de modelo y el número de serie. Estos números se encuentran en una placa de datos situada en el costado superior izquierdo dentro del refrigerador.

Número de Modelo _____

Número de Serie _____

Fecha de Compra _____

Nombre del Distribuidor _____

Dirección del Distribuidor _____

No. de Teléfono del Distribuidor _____

Información sobre las instrucciones de seguridad

Las advertencias e instrucciones importantes sobre seguridad que aparecen en este manual no están destinadas a cubrir todas las posibles circunstancias y situaciones que puedan ocurrir. Se debe ejercer sentido común, precaución y cuidado cuando instale, efectúe mantenimiento o cuando use este refrigerador.

Siempre póngase en contacto con su distribuidor, agente de servicio o fabricante si surgen problemas o situaciones que usted no comprenda.

Antes de solicitar servicio...

Si se presenta algún problema, por favor consulte la sección "Antes de Solicitar Servicio"; ahí encontrará la solución para algunos problemas básicos antes de llamar a un técnico de servicio.

¿Qué sucede si estas características son distintas a las de mi modelo?

Este manual tiene por objeto mostrarle una variedad de características que están disponibles en la línea de productos. Si tiene preguntas, por favor escríbanos (incluya el número de modelo y su número de teléfono) o llame a:

Maytag ServicesSM

Attn: Jenn-Air CAIR[®] Center

P.O. Box 2370

Cleveland, TN 37320-2370

EE. UU. y Canadá 1-800-JENNAIR

(1-800-536-6247)

1-800-688-2080 (EE. UU. - TTY para personas con problemas auditivos o del habla)

(Lunes a Viernes desde las 8:00 a.m. hasta las 8:00 p.m. Hora del Este)

Internet: <http://www.jennair.com>

Reconozca los símbolos, advertencias y etiquetas de seguridad

PELIGRO

PELIGRO - Riesgos inmediatos que **CAUSARAN** lesión personal grave o mortal.

ADVERTENCIA

ADVERTENCIA - Peligros o prácticas no seguras que **PODRIAN** causar lesión personal grave o mortal.

ATENCION

ATENCION - Peligros o prácticas no seguras que **PODRIAN** causar lesión personal menos grave.

Instrucciones Importantes de Seguridad

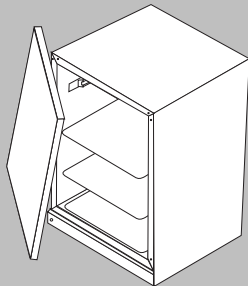
⚠ ADVERTENCIA

- Cuando utilice el electrodoméstico siempre siga las precauciones básicas.
- Use el refrigerador solamente para el propósito que ha sido diseñado.
- Para evitar la posibilidad de peligro debido a choques eléctricos, nunca enchufe el refrigerador en un tomacorriente que no haya sido debidamente puesto a tierra según los códigos eléctricos locales y nacionales. Vea la advertencia ⚠ y las instrucciones de puesta a tierra que se indican a continuación.
- Desenchufe el refrigerador antes de la limpieza, cuando se efectúen reparaciones o reemplace un foco.
- En caso de una falla eléctrica, trate de abrir la puerta lo menos posible.
- Si el cordón eléctrico se deshilacha o se daña se debe reparar o reemplazar de inmediato. Nunca tire del cordón eléctrico para desenchufar su electrodoméstico.
- A fin de evitar un peligro de incendio, su refrigerador no debe hacerse funcionar en presencia de gasolina o de otros vapores y líquidos inflamables.
- A fin de evitar lesiones, los niños no deben treparse, colgarse ni pararse en este refrigerador.

⚠ PELIGRO

Los problemas de atrapamiento y asfixia de los niños no han quedado relegados al pasado. Los artefactos de refrigeración desechados o abandonados todavía son peligrosos... aún si se van a dejar allí "solamente por unos días." Si va a descartar su refrigerador antiguo, por favor siga las siguientes instrucciones para ayudar a prevenir accidentes.

- Retire las puertas.
- Deje las parrillas en su lugar de modo que los niños no puedan entrar fácilmente al refrigerador.

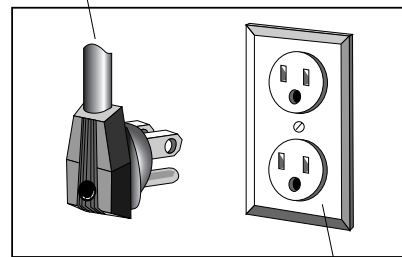


⚠ ADVERTENCIA

- Este electrodoméstico ha sido diseñado para funcionar con una fuente de energía eléctrica de 115 voltios, 15 amperios, 60 Hz. Se recomienda usar un circuito separado y puesto a tierra, exclusivamente para el refrigerador. No use un cable de extensión. No utilice ningún dispositivo que pueda afectar el rendimiento eléctrico de este electrodoméstico.

Este electrodoméstico está equipado con un enchufe de tres clavijas con puesta a tierra para protección contra el posible peligro de sufrir choques eléctricos. Se debe enchufar en un tomacorriente puesto a tierra. Si sólo se dispone de un tomacorriente estándar para enchufe de dos clavijas, el cliente tiene la responsabilidad y obligación de reemplazarlo por un tomacorriente para enchufe de tres clavijas debidamente puesto a tierra. Por ningún motivo corte o retire la tercera clavija (tierra) del cable eléctrico. **No use un adaptador.**

Cordón eléctrico con enchufe de tres clavijas con puesta a tierra



Tomacorriente del tipo con puesta a tierra

⚠ ADVERTENCIA

- Este refrigerador, bajo ninguna circunstancia, debe usarse sin tener conexión a tierra.

Conserve estas instrucciones para referencia futura

Instalación

Herramientas Necesarias

- Llave Allen de 1/8"
- Casquillo de 5/16"
- Destornillador Phillips
- Espátula
- Nivel de carpintero

Selección del lugar

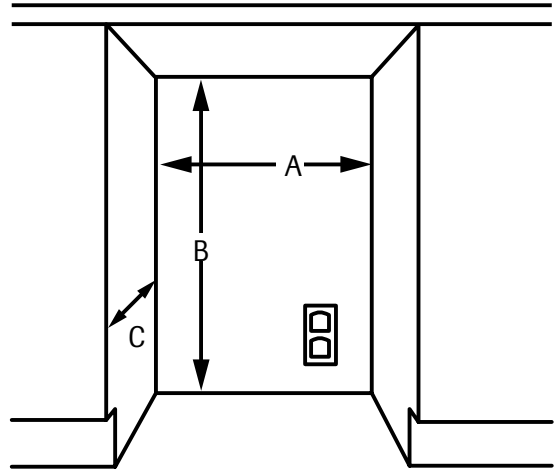
Este refrigerador ha sido diseñado para ser instalado debajo de la mesada. Su ubicación en el lugar apropiado asegurará máximo rendimiento. Seleccione un lugar en el interior, alejado del calor y fuera de la luz solar directa. Su mejor rendimiento se mantendrá cuando se instale dentro de los siguientes parámetros:

Límite de Temperatura Ambiente Ideal

Empotrado65-80° F
(18,3-26,7° C)

Es necesario determinar los requerimientos eléctricos antes de colocar el refrigerador en su ubicación final (ver página 26).

Dimensiones de la cavidad entre los armarios



CAVIDAD DEBAJO DE LA MESADA	
A	24" (61 cm)*
B	Min. 34½" (87,6 cm) Max. 35¼" (89,5 cm)
C	24¼" (61,3 cm)

* Si la puerta va a quedar embutida entre los armarios, la cavidad para el gabinete debe medir 24¼" (61,6 cm).

Despeje del gabinete

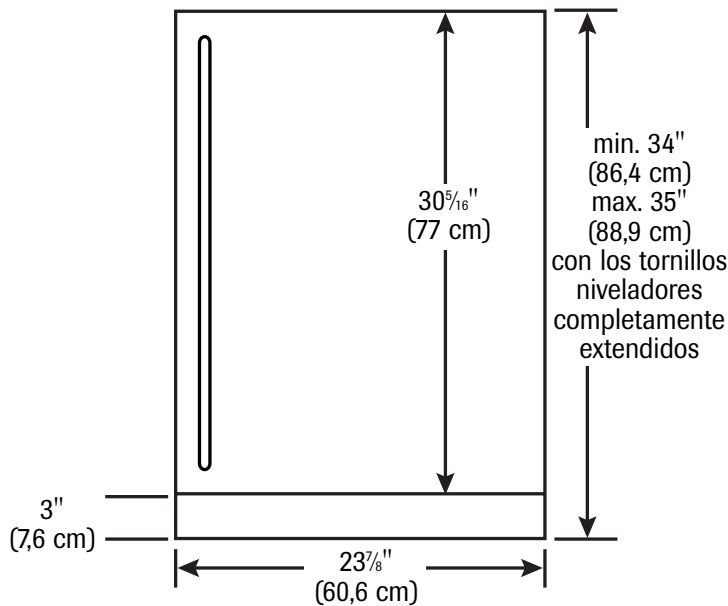
Para un funcionamiento eficiente, es necesario que exista ventilación desde la sección delantera inferior del refrigerador. Mantenga esta área abierta y libre de obstrucciones.

Los armarios adyacentes y la mesada pueden ser construidos alrededor del refrigerador siempre que no se instale la moldura superior ni la mesada más abajo que la bisagra superior.

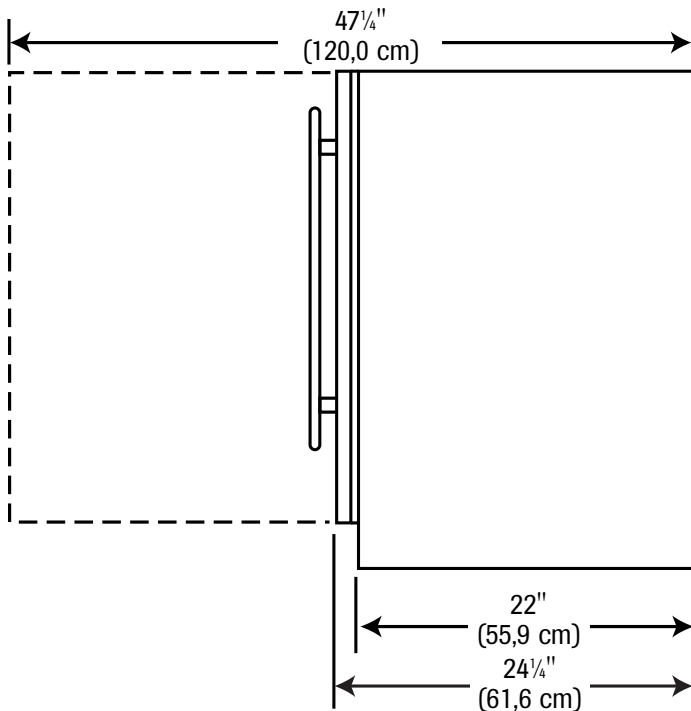
La instalación debe permitir que el refrigerador pueda ser movido en caso de que necesite ser reparado.

Dimensiones

Frente



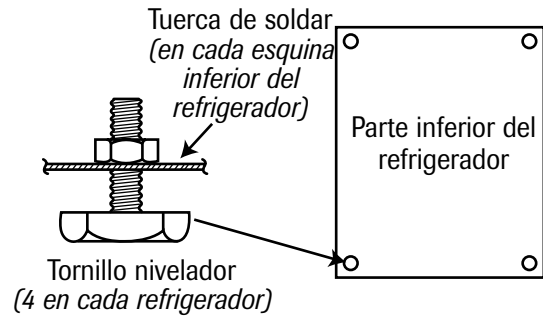
Lado



Tornillos niveladores

Instalación de los tornillos niveladores (se encuentran en el paquete de los documentos):

- Se necesitan por lo menos 2 personas para inclinar el refrigerador hacia atrás hasta que haya aproximadamente un espacio libre de 12" (30,5 cm) entre el piso y el refrigerador.



- Instale un tornillo nivelador delantero en la marca situada en cada esquina. Los tornillos niveladores deben atornillarse hasta que queden bien ajustados.
- Repita el procedimiento anterior para instalar los tornillos niveladores traseros.

⚠ ADVERTENCIA

- A fin de evitar lesiones, no se recomienda que una persona sola incline el refrigerador hacia atrás. Pida ayuda a otra persona para evitar de que el refrigerador se caiga durante la instalación de los tornillos niveladores.

⚠ ATENCION

- El refrigerador debe permanecer en posición vertical por lo menos 30 minutos antes de ser enchufado.

Nivelación del refrigerador

Usando un nivel de carpintero, verifique para asegurarse de que el refrigerador está nivelado de lado a lado y de frente hacia atrás. Los ajustes de nivelación se pueden hacer girando los tornillos niveladores a la izquierda para aumentar la altura y a la derecha para disminuir la altura.

NOTA: El refrigerador no debe quedar inestable. Use laminillas para agregar estabilidad cuando sea necesario.

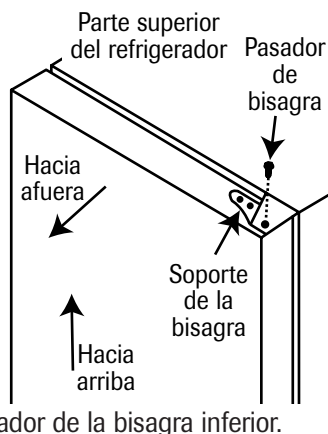
Instalación, cont.

Inversión de la puerta

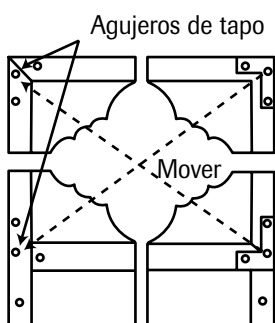
⚠ ADVERTENCIA

- A fin de evitar un choque eléctrico que puede causar lesión personal grave o mortal, desconecte la energía eléctrica al refrigerador antes de invertir la puerta.

1. Apague el refrigerador y desconecte la energía eléctrica. Retire la bisagra superior con una llave Allen de $\frac{1}{8}$ ". Retire la puerta tirando de ella hacia afuera y hacia arriba para sacarla del pasador de bisagra inferior. Colóquela a un lado, vuelta al revés a fin de evitar que se raye el acabado. Retire la arandela pequeña de plástico del pasador de la bisagra inferior.

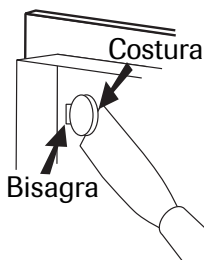


2. Retire con una espátula los seis tapones pequeños de agujeros plásticos situados en los agujeros de las bisagras del lado izquierdo. Retire la bisagra inferior usando un casquillo de $\frac{5}{16}$ ", una llave inglesa o una llave de tuercas. Vuelva a instalar la bisagra, moviéndola al lado izquierdo superior. Usando una llave Allen de $\frac{1}{8}$ ", retire el pasador de bisagra de la bisagra superior izquierda e instálelo en la bisagra superior derecha. Luego mueva la bisagra superior derecha a la parte inferior izquierda. Vuelva a instalar la arandela pequeña de plástico en el pasador de la bisagra inferior. Instale los tapones de agujeros en el lado derecho.

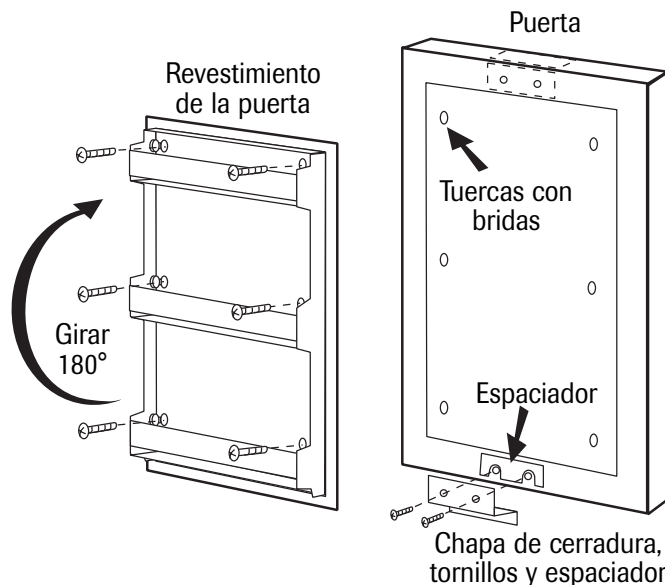


3. Inversión del revestimiento interior de la puerta.

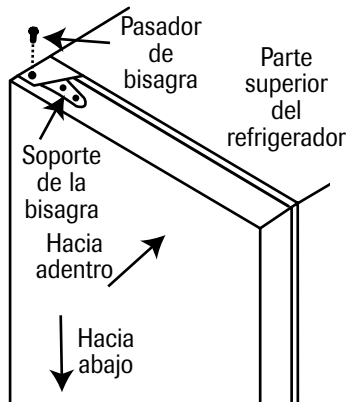
- Retire la junta de la puerta.
- Abra las tapas abisagradas de los 6 tornillos del revestimiento interior de la puerta deslizando la hoja de una espátula delgada en la costura de cada tapa (tenga cuidado de no pasar la espátula a través de la bisagra de la tapa de los tornillos).



- Usando un destornillador Phillips, retire los 6 tornillos que sujetan el revestimiento de la puerta. Las tapas de los tornillos girarán junto con los tornillos.
 - Gire el revestimiento de la puerta 180° y alinee los agujeros de los tornillos del revestimiento de la puerta con las tuercas con bridas de la puerta.
 - Vuelva a instalar los tornillos dentro de las tuercas con bridas primero apretando parcialmente los 6 tornillos y luego apretando bien los 6 tornillos. Esto volverá a asegurar el revestimiento contra la puerta. Cierre las tapas de los tornillos.
 - Mueva la chapa de cerradura al lado opuesto de la puerta.
- NOTA:** Asegúrese de instalar el espaciador detrás de la chapa de cerradura en la dirección correcta. De lo contrario, esto puede interferir con la correcta reinstalación de la chapa de cerradura.
- Reinstale la junta insertándola en la ranura alrededor de la puerta, asegurándose de que quede bien insertada en las esquinas.



4. Vuelva a instalar la puerta colocándola sobre el pasador de la bisagra inferior y empujándola hacia abajo y hacia adentro. Vuelva a instalar el pasador de la bisagra superior. Verifique que la puerta quede bien alineada. La parte superior y los costados de la puerta deben



quedar paralelos con la parte superior y los costados del gabinete. Se permite un poco de desalineamiento, pero la junta de la puerta debe cerrar herméticamente contra el gabinete.

Puede que sea necesario realinear la puerta. Usando una llave Allen de $\frac{1}{8}$ " afloje los dos tornillos situados en el soporte ajustable superior e inferior de la bisagra de la puerta. Ajuste la puerta para dejarla bien alineada. Asegúrese de que la junta queda herméticamente sellada contra el frente del gabinete. Vuelva a apretar los tornillos después de hacer los ajustes.

5. **Vuelva a conectar la energía eléctrica al refrigerador y gire el control nuevamente a la posición 'ON' (Encendido).**

Instalación del panel decorativo de la puerta (modelos selectos)

⚠ ADVERTENCIA

- A fin de evitar un choque eléctrico que puede causar lesión personal grave o mortal, desconecte la energía eléctrica al refrigerador antes de instalar el panel decorativo de la puerta.

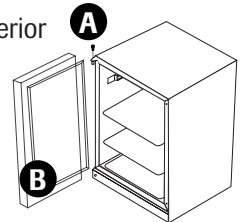
Las dimensiones para el panel decorativo de la puerta son:

Ancho: $23\frac{3}{4}$ " (60,3 cm)

Alto: $30\frac{5}{16}$ " (77 cm)

Grosor (máximo): $\frac{3}{4}$ " (1,9 cm)

1. Apague el refrigerador y desconecte la energía eléctrica.
2. Retire el pasador de la bisagra superior de $\frac{1}{8}$ " (A). Saque la puerta de la bisagra inferior, observando donde está colocada la arandela.
3. Retire la junta de la puerta (B) para dejar al descubierto los agujeros de los tornillos.



Manija decorativa

1. Es necesario instalar una manija decorativa (no se suministra).
2. Taladre agujeros a través del panel decorativo coincidiendo con los de la manija. Avellane los agujeros en la parte trasera del panel.
3. Instale la manija decorativa en el conjunto del panel decorativo delantero.

NOTA: Los tornillos de la manija decorativa deben ser instalados a través del panel decorativo y hacia la manija. Las cabezas de los tornillos deben quedar embutidas de modo que la superficie del panel interior pueda ser instalada al ras con la puerta del refrigerador.

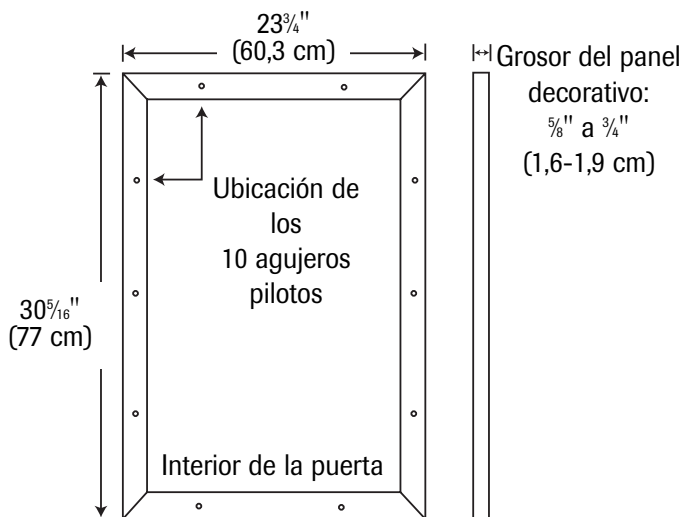
Instalación, cont.

Tornillos para madera

1. Se recomiendan tornillos para madera de cabeza cilíndrica #8 para asegurar en forma debida el panel de madera decorativo en la puerta del refrigerador.
2. Se necesita un total de 10 tornillos.
3. Use solamente tornillos de cabeza cilíndrica.
4. Asegúrese de que el tornillo **NO** sea más largo que el grosor de la madera en las ubicaciones de los tornillos.
5. Use los siguientes tamaños de taladros para los agujeros pilotos.

Tipo de madera	Tamaño del taladro para los agujeros pilotos para tornillos para madera #8 de cabeza cilíndrica
Madera dura	$\frac{3}{32}$ " (0,23 cm)
Madera blanda	$\frac{5}{64}$ " (0,20 cm)

Preparación del panel de madera



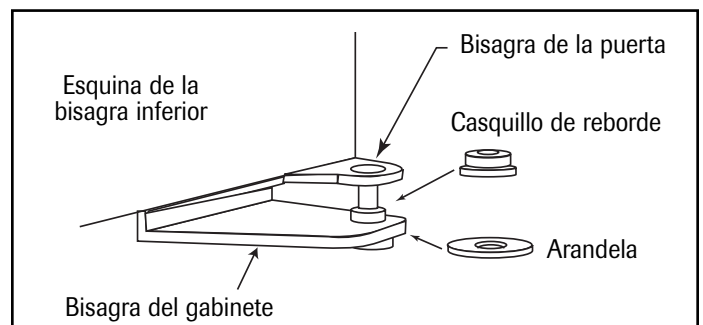
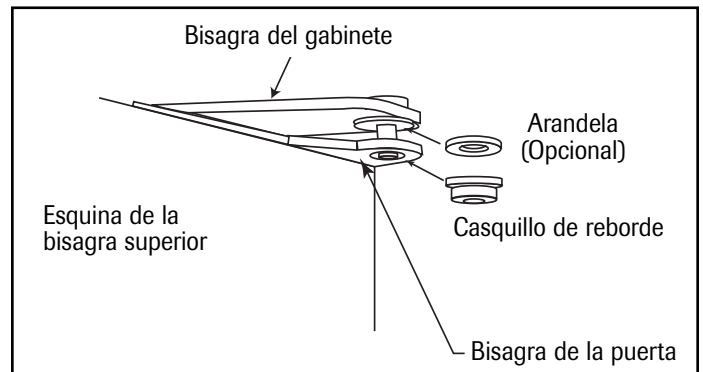
Instalación del panel de madera en la puerta del refrigerador

1. Coloque el panel decorativo de madera sobre una superficie no abrasiva, protegida con toallas o alfombras a fin de evitar daño al acabado de la puerta.

2. Coloque la puerta del refrigerador al ras con la superficie interior del panel decorativo de madera. Sujete con una prensa el panel de madera en la puerta, si es necesario.
3. Marque con un lápiz las ubicaciones de los agujeros.
4. Taladre los agujeros pilotos en el panel decorativo.
5. Inserte los tornillos para madera a través de la parte trasera de la puerta y hacia los agujeros pilotos del panel decorativo de madera y apriételes.
6. Vuelva a instalar la junta de la puerta insertándola en la ranura de la puerta, asegurándose de que las esquinas queden bien insertadas.
7. Instale nuevamente la puerta en el refrigerador usando las arandelas plásticas suministradas (como se muestra a continuación).
8. Puede que sea necesario realinear la puerta (ver página 30).

⚠ ATENCION

- La puerta se puede desprender si no se instalan las arandelas.
- La puerta puede que no gire en forma debida si no se instalan los componentes plásticos como se muestra.

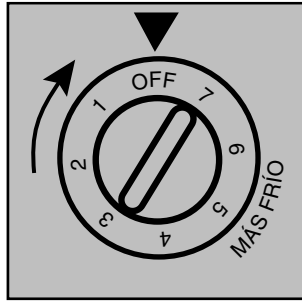


Funcionamiento

1. Ajuste del control:

La perilla de control de la temperatura se encuentra en la parte delantera inferior del refrigerador, cerca del centro de la rejilla inferior.

Inicialmente gire el control a la derecha hacia el ajuste en la mitad del termostato (4). Espere por lo menos 48 horas para el refrigerador se estabilice antes de hacer cambios al ajuste inicial.



La temperatura puede ajustarse girando el control a la derecha para temperaturas más fría o a la izquierda para una temperatura más tibia.

Todos los modelos de refrigeradores se descongelan automáticamente. No se necesita descongelación manual.

NOTA: Al girar la perilla de control a la posición 'OFF' (Apagado) se detiene el enfriamiento pero no se corta la energía eléctrica al refrigerador. Para desconectar la energía eléctrica, el refrigerador debe ser desenchufado o se debe desconectar en el tablero de fusibles o en el disyuntor.

Luz interior

La luz interior facilita la visión de los productos guardados en el refrigerador.

La luz se enciende automáticamente cuando se abre la puerta.

Parrillas ajustables

⚠ ATENCION

- A fin de evitar una lesión, no intente ajustar una parrilla que esté cargada. Siempre retire todos los artículos que estén en la parrilla antes de ajustarla o moverla a otro lugar.

Características

Las parrillas interiores del refrigerador son ajustables.

Las parrillas descansan sobre rieles instalados en los costados del gabinete del refrigerador.

Para ajustar la altura de una parrilla:

- Retire todos los artículos que estén en la parrilla.
- Levante ligeramente la parte trasera de la parrilla.
- Tire de la parrilla directamente hacia afuera.
- Deslice la parrilla para colocarla en otro riel alternativo.

Cuidado y Limpieza

Limpieza

⚠ ADVERTENCIA

- A fin de evitar choque eléctrico que puede causar una lesión personal grave o mortal, desconecte la energía eléctrica al refrigerador antes de la limpieza.

- **Condensador:** La tubería del condensador dentro del refrigerador no requiere limpieza frecuente; sin embargo, es necesario mantener ventilación adecuada sobre los serpentines para obtener enfriamiento satisfactorio. Asegúrese de que nada obstruya las aberturas situadas en la parte delantera del refrigerador requeridas para la circulación del aire. Por lo menos dos veces al año, limpie con una escobilla o aspire las pelusas y suciedad del condensador para un rendimiento eficiente, destornillando la rejilla situada en la parte delantera inferior del refrigerador.
- **Gabinete:** El gabinete pintado puede lavarse con agua y un detergente suave y enjuagado bien con agua limpia. Nunca use polvos de limpieza abrasivos.
- **Puertas de acero inoxidable:** Use un paño suave o una esponja y limpie a favor del grano del acero inoxidable. Use agua y un detergente suave para suciedad leve, 'Bon Ami'* para suciedad moderada y 'Cameo Stainless Steel Cleaner'* para descoloración. No use blanqueador con cloro o productos que contengan blanqueador con cloro en el acero inoxidable.

Después de la limpieza, enjuague y seque. Para restaurar el brillo y eliminar las vetas, use 'Stainless Steel Magic Spray'* (Jenn-Air modelo A912, pieza número 20000008).
- **Interior:** Lave el compartimiento interior con agua y detergente suave. No use polvos limpiadores abrasivos, solventes, pulidores ni detergentes no diluidos.
- **Junta de la puerta:** La junta de vinilo puede limpiarse con agua y un detergente suave o con una solución de 2 cucharadas de bicarbonato y 1 cuarto de galón de agua tibia.

Reemplazo del Foco

⚠ ADVERTENCIA

- A fin de evitar choque eléctrico que puede causar una lesión personal grave o mortal, desconecte la energía eléctrica al refrigerador antes de reemplazar el foco. Después de reemplazar el foco, conecte la energía eléctrica.

⚠ ATENCION

A fin de evitar una lesión personal o daños materiales, observe lo siguiente:

- Espere hasta que el foco se enfríe.
- Use guantes cuando reemplace el foco.

El refrigerador usa un foco para electrodoméstico de 15 watts. Para reemplazar el foco, proceda de la manera siguiente:

1. Desenchufe el cordón eléctrico del tomacorriente mural.
2. Abra la puerta del gabinete.
3. Retire la parrilla inferior.
4. Retire los 3 tornillos de la parte delantera del lente de la luz.
5. Retire el lente.
6. Destornille el foco antiguo y reemplácelo con un foco intermedio para electrodoméstico con base roscada de 15 watts. No use un foco cuya potencia sea superior a 15 watts.
7. Instale el foco y el lente.
8. Vuelva a conectar la energía eléctrica.

* Los nombres de los productos de limpieza son marcas registradas de sus respectivos fabricantes.

Antes de Solicitar Servicio

Antes de solicitar servicio consulte la tabla de solución de averías que se incluye a continuación. Esta tabla incluye problemas posibles que usted puede solucionar sin dificultad a fin de evitar una llamada de servicio innecesaria.

PROBLEMA	POSIBLE CAUSA/SOLUCIONES
Olor en el refrigerador	<ul style="list-style-type: none"> • El interior necesita ser limpiado.
Funcionamiento ruidoso	<ul style="list-style-type: none"> • El refrigerador no está nivelado. • El piso es débil.
El gabinete del refrigerador vibra	<ul style="list-style-type: none"> • El refrigerador no está nivelado. • El piso es débil.
La luz del refrigerador no funciona	<ul style="list-style-type: none"> • Se fundió el foco. • El tomacorriente no tiene energía eléctrica.
El refrigerador no funciona	<ul style="list-style-type: none"> • El control de la temperatura está en 'OFF' (Apagado). • El cordón eléctrico no está enchufado. • No hay energía eléctrica en el tomacorriente. • Se fundió un fusible del hogar.
El refrigerador funciona por mucho tiempo	<ul style="list-style-type: none"> • La puerta se deja abierta durante mucho tiempo. • El control está en un ajuste muy frío. • El condensador necesita limpieza.
Se forma humedad en el interior	<ul style="list-style-type: none"> • La puerta se abre con demasiada frecuencia. • El tiempo caluroso y húmedo aumenta la condensación.
Se forma humedad en la superficie exterior	<ul style="list-style-type: none"> • El tiempo caluroso y húmedo aumenta la condensación. A medida que el tiempo húmedo disminuya, la humedad desaparecerá. • El control está en un ajuste erróneo.
Interior demasiado caliente/ demasiado frío	<ul style="list-style-type: none"> • El control está en un ajuste erróneo. • La temperatura está siendo verificada con termómetro fallado.

Si usted necesita servicio, póngase en contacto con su distribuidor o con el fabricante. En toda la correspondencia, indique el número de modelo y el número de serie de su refrigerador que se encuentran en la brida inferior delantera del refrigerador. Conserve su comprobante de compra. Anote estos números en el espacio provisto en la página 25.

Garantía

Garantía Completa de Un Año

Durante **un (1) año** desde la fecha original de compra al por menor, se reparará o reemplazará gratuitamente cualquier pieza que falle durante el uso normal en el hogar.

Garantía Limitada - Componentes Principales de Refrigeración

Desde el Segundo hasta el Quinto año - Desde el primer año a partir de la fecha original de compra al por menor, hasta el final del quinto año, Maytag ServicesSM reparará o reemplazará, a su elección, sin costo alguno por piezas o mano de obra (solamente), cualquier pieza del sistema de refrigeración sellado (compuesto por el compresor, evaporador, condensador, secador y tubería de conexión) que falle durante el uso normal en el hogar. El propietario deberá pagar todos los otros costos incluyendo mano de obra, kilometraje/millaje, transporte, costo del viaje y costo del diagnóstico, si fuese necesario.

Garantía Limitada - Otras Piezas

Segundo Año - Las piezas, a excepción de los componentes principales de refrigeración, que fallen durante el uso normal en el hogar durante el segundo año después de la fecha original de compra al por menor serán reparadas o reemplazadas gratuitamente en lo que respecta a las piezas mismas y el propietario deberá pagar todos los otros costos incluyendo mano de obra, kilometraje/millaje, transporte, costo del viaje y costo del diagnóstico, si fuese necesario.

NOTA: La garantía completa y las garantías limitadas son aplicables cuando el producto de refrigeración se encuentra en los Estados Unidos o Canadá. Los refrigeradores que se encuentren en cualquier otro lugar están cubiertos por garantía limitadas que incluyen solamente las piezas que fallen durante el primer año.

LIMITACIONES DE LA RESPONSABILIDAD

El garante no será responsable por ningún daño incidental o consecuente, incluyendo pérdida de alimentos. En algunos estados no se permite la exclusión o limitación de daños consecuentes, por lo tanto la limitación o exclusión anterior puede no aplicarse en su caso.

*Las garantías específicas expresadas anteriormente son las **UNICAS** garantías ofrecidas por el fabricante. Estas garantías le confieren derechos legales específicos, pudiendo también tener otros derechos que varían de un estado a otro.*

Para recibir servicio bajo la garantía:

Para localizar una compañía de servicio autorizada en su área, póngase en contacto con el distribuidor Jenn-Air a quien compró el artefacto o llame a Maytag ServicesSM, Customer Assistance (Ayuda a los Clientes) a los números de teléfonos que se incluyen a continuación. Si el servicio bajo la garantía no es satisfactorio, por favor llame o escriba a:

Maytag ServicesSM

Attn: Jenn-Air CAIR[®] Center

P.O. Box 2370

Cleveland, TN 37320-2370

EE.UU. y Canadá1-800-JENNAIR (1-800-536-6247)

EE.UU. para las personas con

problemas auditivos o del

habla que usan TTY1-800-688-2080

NOTA: Cuando llame o escriba acerca de un problema de servicio, por favor incluya la siguiente información.

- Su nombre, dirección y número de teléfono;
- Número de modelo y número de serie y número de revisión;
- Nombre y dirección de su distribuidor y la fecha en se compró el electrodoméstico;
- Una descripción clara del problema que está experimentando;
- Comprobante de compra (recibo de compra).

Lo que no cubren estas garantías:

1. Situaciones y daños resultantes de cualquiera de las siguientes eventualidades:
 - a. Instalación, entrega o mantenimiento inapropiados.
 - b. Cualquier reparación, modificación, alteración o ajuste no autorizado por el fabricante o por un centro de servicio autorizado.
 - c. Mal uso, abuso, accidentes o uso irrazonable.
 - d. Corriente eléctrica, voltaje o suministro incorrecto.
 - e. Ajuste incorrecto de cualquiera de los controles.
2. Las garantías quedan nulas si los números de serie originales han sido retirados, alterados o no son fácilmente legibles.
3. Focos.
4. Productos comprados para uso comercial o industrial.
5. El costo del servicio o llamada de servicio para:
 - a. Corregir errores de instalación.
 - b. Instruir al usuario sobre el uso correcto del artefacto.
 - c. Transporte del artefacto al establecimiento de servicio.
6. Los daños consecuentes o incidentales sufridos por cualquier persona como resultado del incumplimiento de esta garantía.

En algunos estados no se permite la exclusión o limitación de daños consecuentes o incidentales, por lo tanto la limitación o exclusión anterior puede no aplicarse en su caso.

Las guías del usuario, manuales de servicio e información sobre las piezas pueden solicitarse a Maytag ServicesSM, Jenn-Air Customer Assistance.

Jenn-Air • 403 West Fourth Street North • P.O. Box 39 • Newton, Iowa 50208